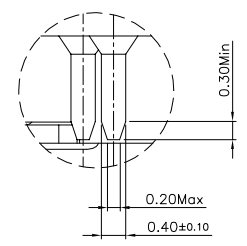
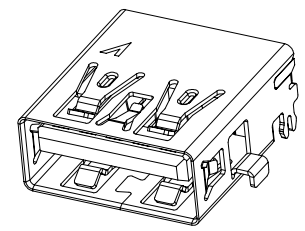
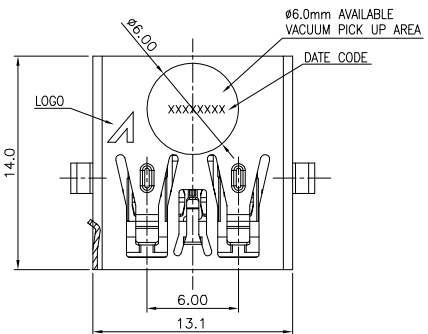
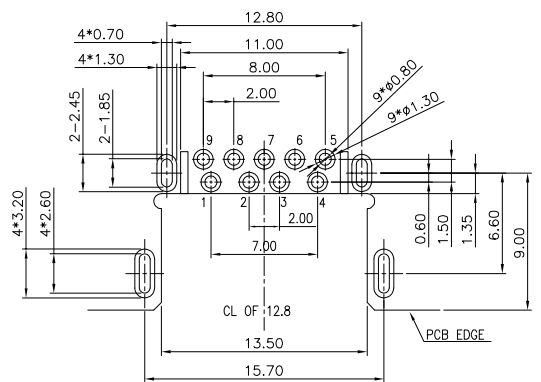
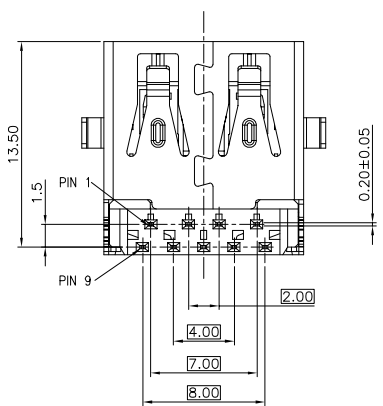
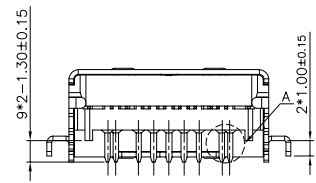
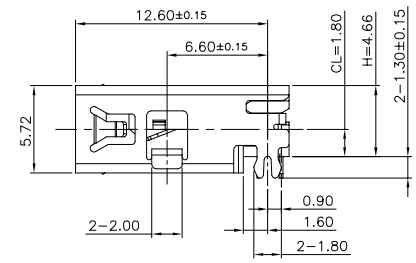
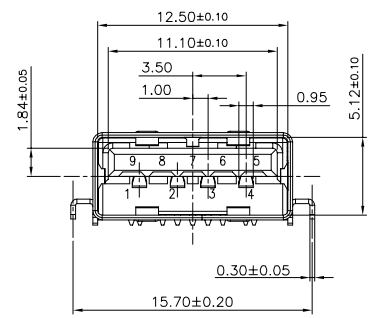


文件  
分发  
生管  
业务  
品保  
QA  
IQC  
生技  
注量  
加工  
冲压  
材料  
工程  
仓库  
IPQC

**Pb** RoHS Compliant 2013/95/EC HSF



DETAIL: A  
SCALE 4: 1



RECOMMENDED PCB LAYOUT  
(COMPONENT SIDE, TOLERANCE: ±0.05)



| Pin # | SIGNAL NAME | DESCRIPTION                              | MATING SEQUENCE |
|-------|-------------|--|-----------------|
| 1     | VBUS        | POWER                                    | SECOND          |
| 2     | D-          | USB 2.0 DIFFERENTIAL PAIR                | THIRD           |
| 3     | D+          |  |                 |
| 4     | GND         | GROUND FOR POWER RETURN                  | SECOND          |
| 5     | StdA_SSRX-  | SUPERSPEED RECEIVER DIFFERENTIAL PAIR    | LAST            |
| 6     | StdA_SSRX+  |  |                 |
| 7     | GND_DRAIN   | GROUND FOR SIGNAL RETURN                 |                 |
| 8     | StdA_SSTX-  | SUPERSPEED TRANSMITTER DIFFERENTIAL PAIR |                 |
| 9     | StdA_SSTX+  |  |                 |
| Shell | Shield      | CONNECTOR METAL SHELL                    | FRIST           |

- NOTE:**
- MATERIAL:**
    - 1.1 INSULATOR: HIGH TEMPERATURE PLASTIC, BLUE, UL 94 V-0
    - 1.2 CONTACT: COPPER ALLOY (T=0.20mm)
    - 1.3 SHELL: SUS201 (T=0.30mm)
  - ELECTRICAL CHARACTERISTICS:**
    - 2.1 CONTACT RESISTANCE: 30mΩ Max
    - 2.2 CONTACT CURRENT RATING: 1.5A
    - 2.3 DIELECTRIC WITHSTANDING VOLTAGE: 500 V R.M.S.
    - 2.4 INSULATION RESISTANCE 100 MEGOHMS Min
    - 2.5 OPERATING TEMPERATURE: -40° C ~ 85° C
  - MECHANICAL CHARACTERISTICS:**
    - 3.1 MATING FORCE: 35 N Max
    - 3.2 UNMATED FORCE: 10 N Min INITIAL; 8 N Min AFTER TEST
    - 3.3 DURABILITY: 5,000 CYCLES
  - PLATING**
    - 4.1 TERMINAL CONTACT: GOLD PLATING ALL OVER  
50u" MIN NICKEL AND 100u" MIN Tin ALL OVER  
50u" MIN NICKEL ON SOLDER AREA
    - 4.2 SHELL: 50u" MIN. NICKEL ALL OVER
  - PART NUMBER:** 1181-12XAU-23A  
1: G/F 2: 5u" 1: Tray  
3: 10u" 4: 15u" 2: Tape Real  
5: 30u"

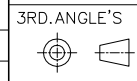
TOLERANCES UNLESS OTHERWISE SPECIFIED

| UNIT  | (MM)  |
|-------|-------|
| X.    | ±0.50 |
| X.X   | ±0.30 |
| X.XX  | ±0.20 |
| X.XXX | ±0.10 |
| ANGEL | ±2'   |

**PowerCenter** 力源科技(香港)有限公司  
力源科技力郡电子 力郡电子科技有限公司  
POWERCENTER TECHNOLOGY LIMITED

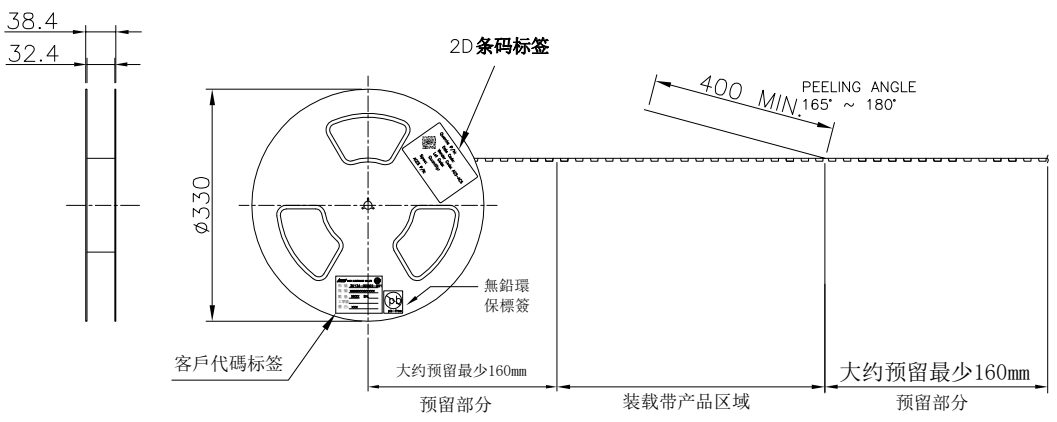
|                             |  |
|-----------------------------|--|
| ORIGINAL DATA<br>2017.04.01 | TITLE<br>USB3.0 AF STD CL1.80mm L14.00mm DIP |
| DWN.<br>李祖峰                 |  |
| CHK.                        | PART NO.<br>1181-12XAU-23A                   |
| APVD.<br>FCC                | DWG NO.<br>1181-121AU-23A                    |

| REV. | DESCRIPTION | ECN NO.     | DWN.     | CHK. | APVD. | DATE       |
|------|-------------|-------------|----------|------|-------|------------|
| B    | 修改喷码要求      | 20220727108 | hj-jian  | FCC  | FCC   | 2022.08.22 |
| A    | 正式发行        |             | Lizufeng | Rain | DC    | 2017.04.01 |

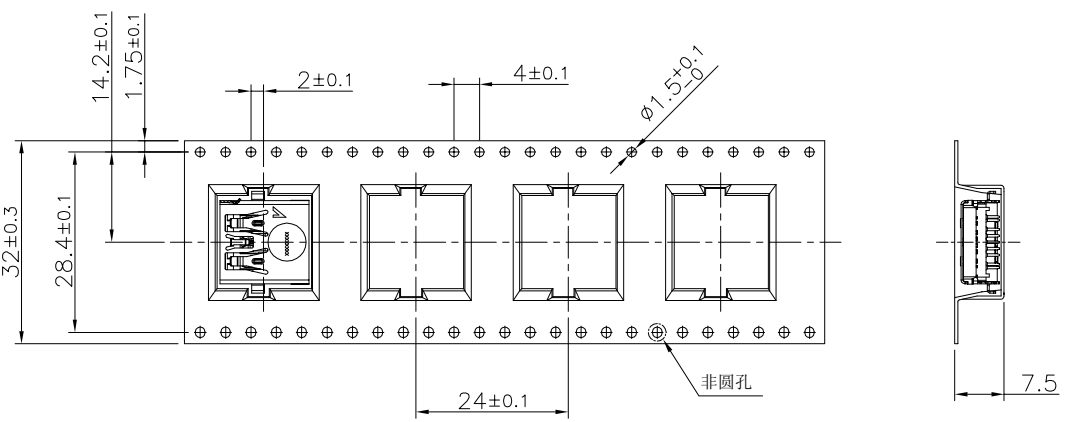


文件分发  
生管业务  
品质  
QA  
IQC  
生技  
注册  
加工  
冲压  
资料  
工程  
仓库  
IPQC

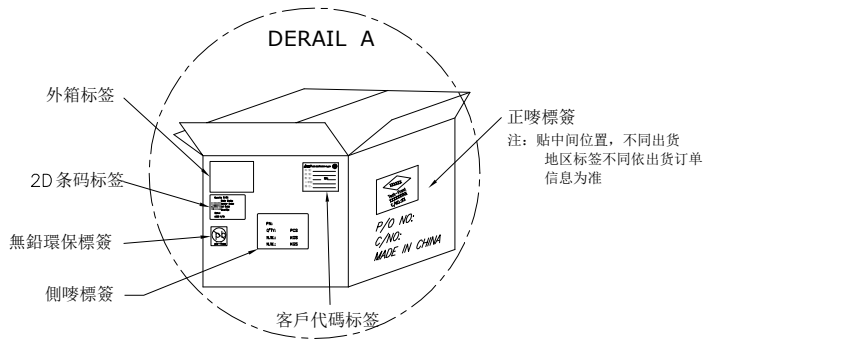
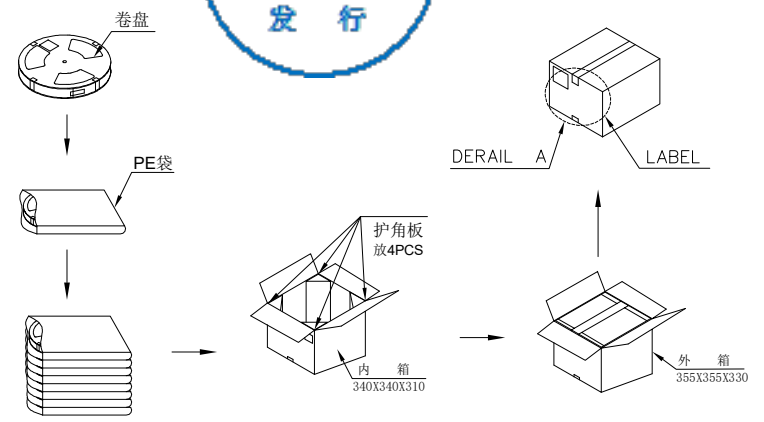
**Pb** RoHS Compliant 2013/95/EC HSF



USER DIRECTION OF UNREELING →



1. 检验重点: 首件及制程检验时, 一定要取1-2M载带将产品放入载带内, 载带垂直90° 时产品要自由掉落下来。
2. 自粘性上代与载带的剥离力为0.2~1.2N



|           |               |          |              |            |
|-----------|---------------|----------|--------------|------------|
| 400       | 8             | 3200 PCS | -- KG        | -- KG      |
| PCS/ REEL | REELS/ CARTON | QUANTITY | GROSS WEIGHT | NET WEIGHT |

|  |       |  |                         |           |
|--|-------|--|-------------------------|-----------|
| <b>PowerCenter 力源科技(香港)有限公司</b><br><b>力源科技力郡电子 力郡电子科技有限公司</b><br><b>POWERCENTER TECHNOLOGY LIMITED</b> |       |  |                         |           |
| TOLERANCES UNLESS OTHERWISE SPECIFIED  |       | ORIGINAL DATA 2017.04.01                             |                         |           |
| UNIT (MM)  |       | TITLE USB3.0 AF STD CL1.80mm L14.00mm DIP (宏致出货和硬包装) |                         |           |
| X.   | ±0.50 | DWN.   | 李祖峰                     |           |
| X.X  | ±0.30 | CHK.   | PART NO. 1181-12XAU-23A | SCALE 2:1 |
| X.XX   | ±0.20 | APVD.  | DWG NO. 1181-121AU-23A  | SIZE A4   |
| X.XXX  | ±0.10 |  |                         | SHEET 2/2 |
| ANGEL  | ±2'   |  |                         | REV. B    |
| 3RD. ANGLE'S   |       |  |                         |           |

文件  
分发  
生管  
业务  
品保  
QA  
IQC  
生技  
注墨  
加工  
冲压  
资料  
工程  
仓库  
IPQC



**RoHS Compliant**  
2013/95/EC

HSF

# 修改前

DATE CODE:

A 4A28T.

空格

年份代码: 4=2014

月份代码: A(1月), B(2月)

重工品代码: “.”,  
非重工品代码为空白

日期代码: 28(28号)

# 修改后

将DATE CODE删除, 详细要求见喷码原则文件。



|                                       |  |  |                                     |       |      |
|---------------------------------------|--|--|-------------------------------------|-------|------|
| TOLERANCES UNLESS OTHERWISE SPECIFIED |  | <b>PowerCenter</b> 力源科技(香港)有限公司<br>力源科技力郡电子 POWERCENTER TECHNOLOGY LIMITED |                                     |       |      |
| UNIT (MM)                             |  | ORIGINAL DATA  | TITLE                               |       |      |
| X. ±0.50                              |  | 2017.04.01   | USB3.0 AF STD CL1.80mm L14.00mm DIP |       |      |
| X.X ±0.30                             |  | DWN. 李祖峰   |                                     |       |      |
| X.XX ±0.20                            |  | CHK.   | PART NO.                            | SCALE | SIZE |
| X.XXX ±0.10                           |  |  | 1181-12XAU-23A                      | 2:1   | A4   |
| ANGEL ±2'                             |  | APVD. FCC  | DWG NO.                             | SHEET | REV. |
|                                       |  |  | 1181-121AU-23A                      | 1/1   | B    |