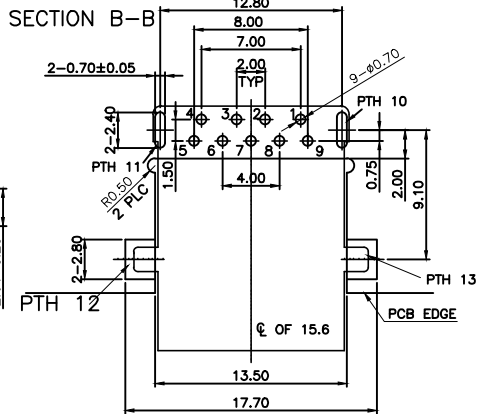
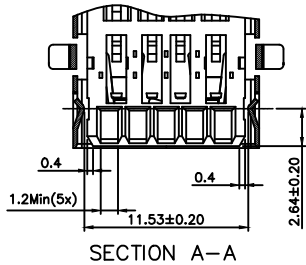
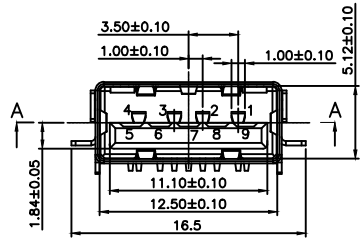
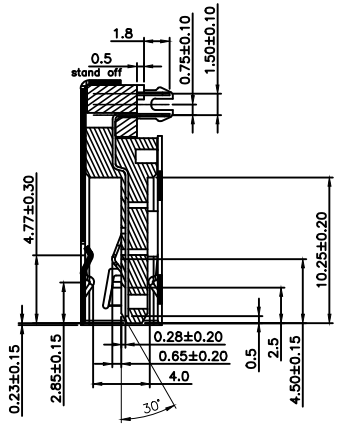
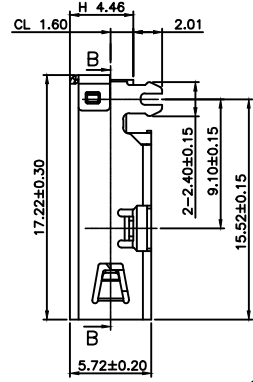
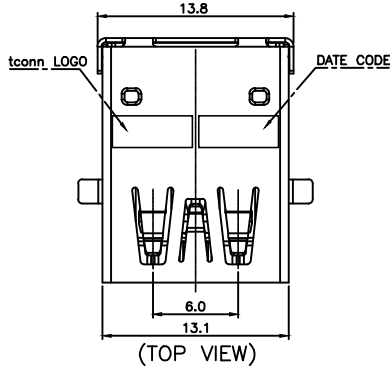


重点尺寸 (M) CPK 管控 (C) 装配尺寸 (A) 修改版次 (XX)

THESE DRAWINGS AND SPECIFICATIONS ARE THE PROPERTY OF POWER CENTER AND SHALL NOT BE REPRODUCED, COPIED OR USED IN ANY MANNER WITHOUT THE CONSENT OF POWERCENTER TECHNOLOGY LIM

文件分发  
生管  
业务  
品质  
QA  
IQC  
生技  
注塑  
加工  
冲压  
资料  
工程  
仓库  
IPQC

**RoHS Compliant HSF**  
2013/95/EC



TOLERANCE: ±0.05, THICKNESS: 1.2mm  
RECOMMENDED PCB LAYOUT (TOP VIEW)

Pin #	SIGNAL NAME	DESCRIPTION	MATING SEQUENCE
1	VBUS	POWER	SECOND
2	D-	USB 2.0 DIFFERENTIAL PAIR	THIRD
3	D+		
4	GND	GROUND FOR POWER RETURN	SECOND
5	StdA_SSRX-	SUPERSPEED RECEIVER DIFFERENTIAL PAIR	LAST
6	StdA_SSRX+		
7	GND_DRAIN	GROUND FOR SIGNAL RETURN	
8	StdA_SSTX-	SUPERSPEED TRANSMITTER DIFFERENTIAL PAIR	
9	StdA_SSTX+		
Shell	Shield	CONNECTOR METAL SHELL	FIRST

NOTE:  
1. MATERIAL:  
1.1 INSULATOR LCP UL 94 V-0; BLUE/BLACK  
1.2 CONTACT: C5210-EH (T=0.20mm)  
1.3 SHELL: SUS201 (T=0.30mm)  
2. ELECTRICAL CHARACTERISTICS:  
2.1 CONTACT RESISTANCE: 30mΩ Max  
2.2 CONTACT CURRENT RATING: 1.5A  
2.3 DIELECTRIC WITHSTANDING VOLTAGE: 500 V R.M.S.  
2.4 INSULATION RESISTANCE 100 MEGOHMS Min  
2.5 OPERATING TEMPERATURE: -40° C ~ 85° C  
3. MECHANICAL CHARACTERISTICS:  
3.1 MATING FORCE: 35 N Max  
3.2 UNMATED FORCE: 10 N Min INITIAL; 8 N Min AFTER TEST  
3.3 DURABILITY: 5,000 CYCLES  
4. PLATING  
4.1 TERMINAL CONTACT: (SEE TABLE) GOLD PLATING ALL OVER 50u" MIN NICKEL AND 80u" MIN Ti IN ALL OVER 50u" MIN NICKEL ON SOLDER AREA  
4.2 SHELL: 50u" MIN. NICKEL ALL OVER  
5. PART NUMBER:

1181-32XXX-23A  
1: G/F  
2: 5u"  
3: 10u"  
4: 15u"  
5: 30u"  
1: Tray  
2: Tape reel

PA9T橙色	LCP 蓝色	1181-32XE5-23A
PA9T 2270C绿	LCP 蓝色	1181-32XD6-23A
LCP黑色	LCP 黑色	1181-32XCA-23B
LCP蓝色	LCP 蓝色	1181-32XCA-23A
LCP蓝色	LCP 蓝色	1181-32X51-23B
LCP蓝色	LCP 蓝色	1181-32X51-23A
塑胶&颜色	后塞材质&颜色	料号



REV.	DESCRIPTION	ECN NO.	DWN.	CHK.	APVD.	DATE
I	变更透明胶带包装	201901120019	LxiaoL	Nelson	DC	2019.01.12
H	新增棕色料号		LxiaoL	Lijun	Nelson	2018.01.15
G	增加料号&修正资料	20170809002	Jacky. Lv	Lijun	Nelson	2017.08.08
F	增加料号	20160929001	林正武	Rain	DC	2016.09.29
E	增加料号	20160724001	权蕾	Rain	DC	2016.07.24
D	增加黑色料号	20151222001	何健全	Rain	DC	2015.12.22
C	增加贴片脚平面度管控	20151207001	权蕾	Rain	DC	2015.12.07
B	增加贴片脚长度尺寸	20140504002	杜想君	Rain	DC	2014.05.04
A	NEW DARWING	ECN NO.	karen	Chain	DC	2013.04.25

TOLERANCES UNLESS OTHERWISE SPECIFIED	UNIT (MM)
X.	±0.50
X.X	±0.30
X.XX	±0.20
X.XXX	±0.10
ANGEL	±2°

**PowerCenter** 力源科技(香港)有限公司  
力源科技力郡电子 力郡电子科技有限公司  
POWERCENTER TECHNOLOGY LIMITED

ORIGINAL DATA	TITLE
2016.06.25	USB CONNECTOR, 4.46H CL=1.60H SERIES "A" RECEPTACLE, RIGHT ANGLE, DIP

CHK.	PART NO.	SCALE	SIZE
	1181-32XXX-23A	1:1	A4

APVD.	DWG NO.	SHEET	REV.
	1181-32551-23A	1/4	I

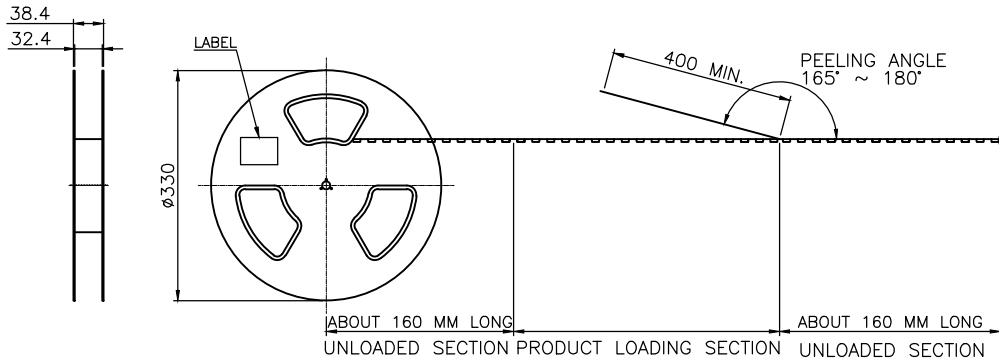
8 7 6 5 4 3 2 1

重点 (M) CPK 管控 (C) 装配 (A) 修改 (X) 尺寸 (尺寸) 版次 (XX)

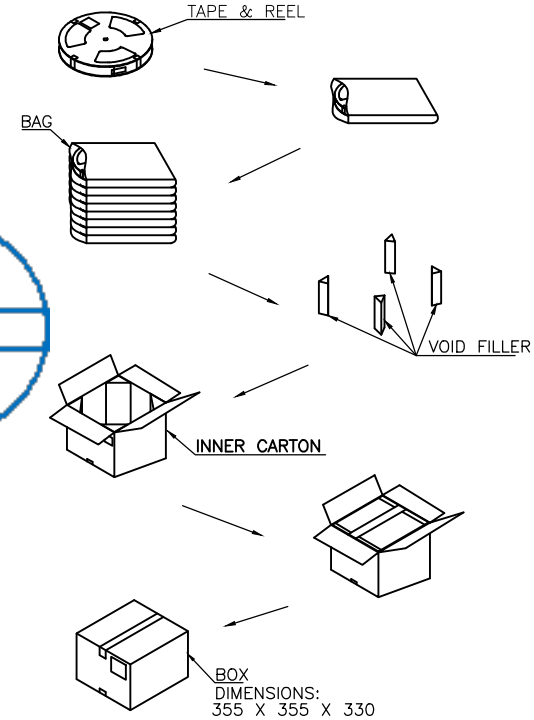
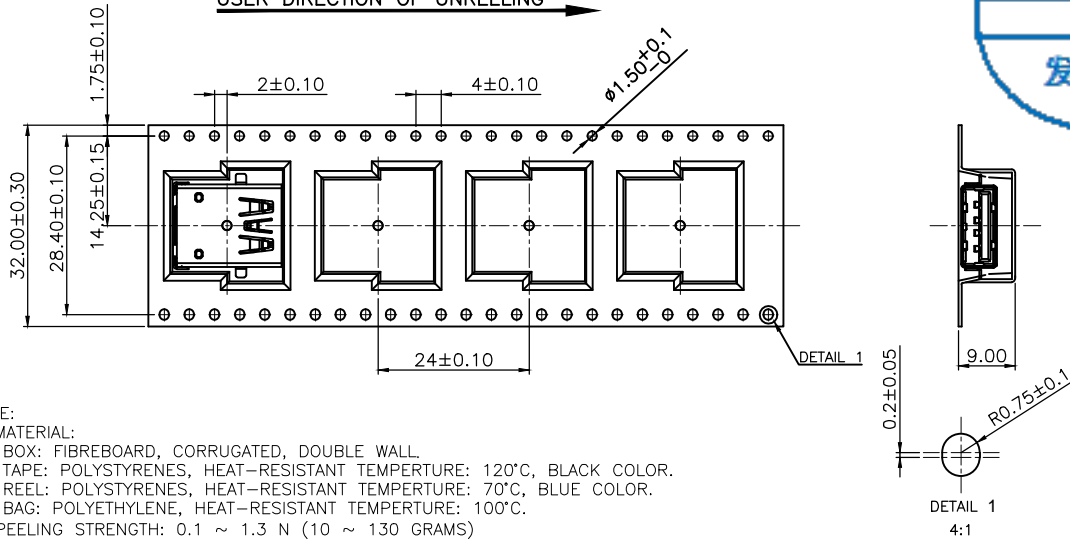
THESE DRAWINGS AND SPECIFICATIONS ARE THE PROPERTY OF POWERCENTER TECHNOLOGY LIMITED, AND SHALL NOT BE REPRODUCED COPIED OR USED IN ANY MANNER WITHOUT THE PRIOR WRITTEN CONSENT OF POWERCENTER TECHNOLOGY LIMITED

文件分发  
生管  
业务  
品保  
QA  
IQC  
生技  
注塑

RoHS Compliant 2013/95/EC HSF



USER DIRECTION OF UNREELING →



- NOTE:
- MATERIAL:  
BOX: FIBREBOARD, CORRUGATED, DOUBLE WALL.  
TAPE: POLYSTYRENES, HEAT-RESISTANT TEMPERATURE: 120°C, BLACK COLOR.  
REEL: POLYSTYRENES, HEAT-RESISTANT TEMPERATURE: 70°C, BLUE COLOR.  
BAG: POLYETHYLENE, HEAT-RESISTANT TEMPERATURE: 100°C.
  - PEELING STRENGTH: 0.1 ~ 1.3 N (10 ~ 130 GRAMS)
  - PEELING SPEED: 300 mm/min.
  - EACH BAG SHALL BE INCLUDED DESICCANT.
  - 350Pcs/Reel, 8Pcs must emptied Before and After.

△	1181-32XE5-23A
△	1181-32XD6-23A
料号	

400	8	3200 PCS	-- KG	-- KG
REEL	REELS/CARTON	QUANTITY	GROSS WEIGHT	NET WEIGHT



I	变更透明载带包装	201901120019	LxiaoL	Nelson	DC	2019.01.12
H	新增橙色料号	20170809002	Jacky.Lv	Lijun	Nelson	2018.01.15
G	增加料号&修正资料	20170809002	Jacky.Lv	Lijun	Nelson	2017.08.08
F	增加料号	20160929001	林正武	Rain	DC	2016.09.29
E	增加料号	20160724001	权蓄	Rain	DC	2016.07.24
D	增加黑色料号	20151222001	何健全	Rain	DC	2015.12.22
C	增加贴板脚平面度管控	20151207001	权蓄	Rain	DC	2015.12.07
B	增加贴板脚长度尺寸	20140504002	杜想君	Rain	DC	2014.05.04
A	NEW DARWING	ECN NO.	karen	Chain	DC	2013.04.25
REV.	DESCRIPTION	ECN NO.	DWN.	CHK.	APVD.	DATE

TOLERANCES UNLESS OTHERWISE SPECIFIED	
UNIT	(MM)
X.	±0.20
X.X	±0.15
X.XX	±0.10
X.XXX	±0.05
ANGEL	±1°
3RD.ANGLE'S	

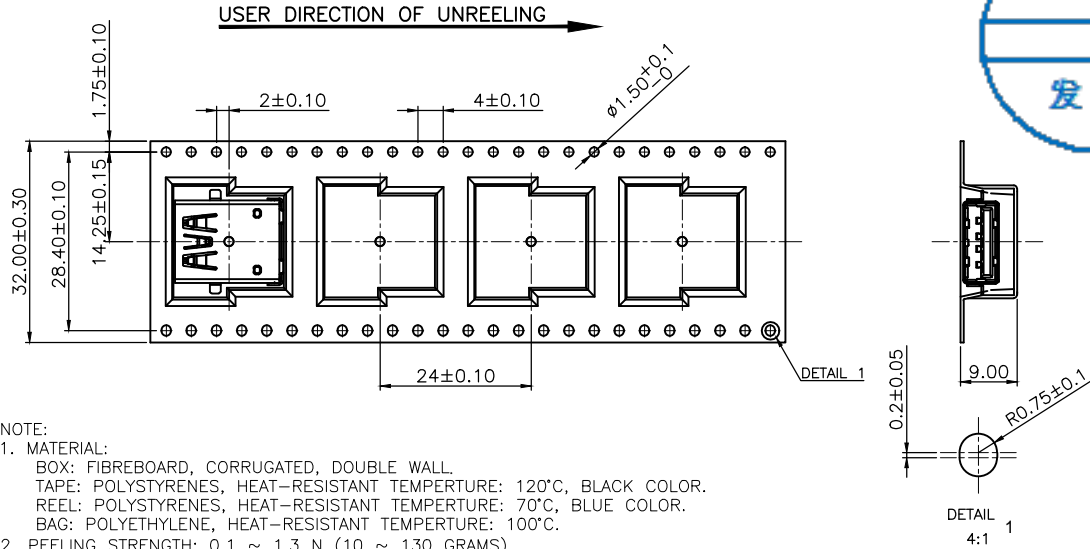
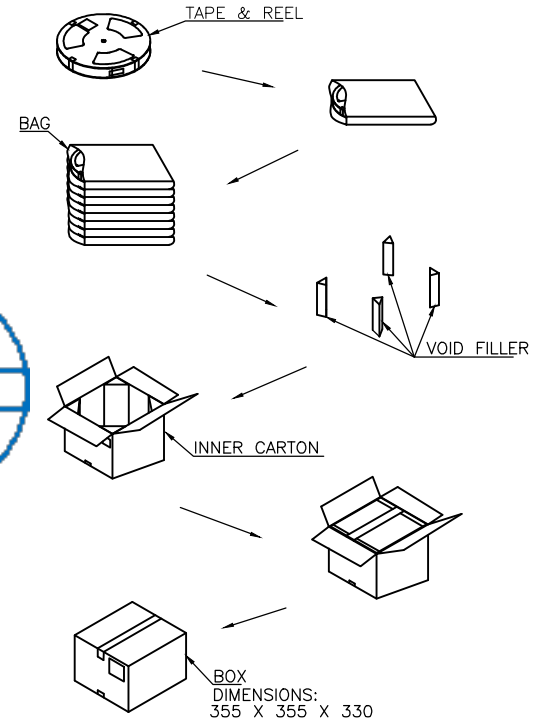
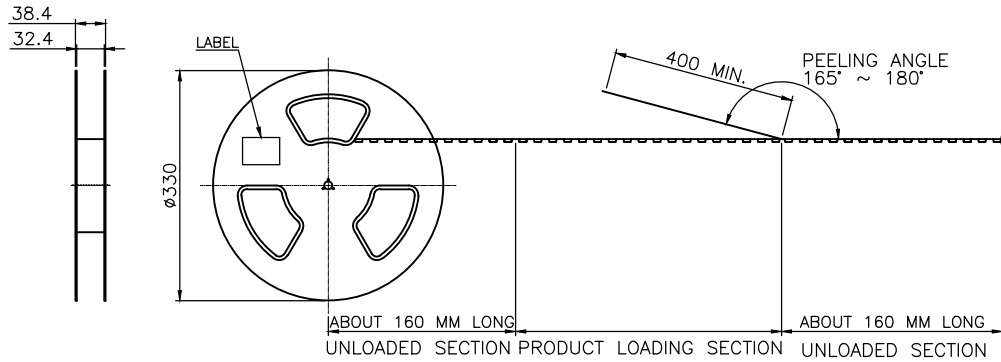
<b>PowerCenter</b> 力源科技(香港)有限公司 力源科技力源电子 POWERCENTER TECHNOLOGY LIMITED	
ORIGINAL DATA 2014.05.04	TITLE USB CONNECTOR, 4.46H CL=1.60H SERIES "A" RECEPTACLE, RIGHT ANGLE, DIP
DWN. 杜想君	
CHK.	PART NO. 1181-32XXX-23X
APVD.	DWG NO. 1181-32551-23A
SCALE 1:1	SIZE A3
SHEET 2/4	REV. I

重点尺寸 (M) CPK 管控 (C) 装配尺寸 (A) 修改版次 (XX)

THESE DRAWINGS AND SPECIFICATIONS ARE THE PROPERTY OF POWERCENTER TECHNOLOGY LIMITED, AND SHALL NOT BE REPRODUCED COPIED OR USED IN ANY MANNER WITHOUT THE PRIOR WRITTEN CONSENT OF POWERCENTER TECHNOLOGY LIMITED

文件分发  
生管  
业务  
品保  
QA  
IQC  
生技  
注塑

RoHS Compliant 2013/95/EC HSF



NOTE:

- MATERIAL:  
BOX: FIBREBOARD, CORRUGATED, DOUBLE WALL.  
TAPE: POLYSTYRENES, HEAT-RESISTANT TEMPERATURE: 120°C, BLACK COLOR.  
REEL: POLYSTYRENES, HEAT-RESISTANT TEMPERATURE: 70°C, BLUE COLOR.  
BAG: POLYETHYLENE, HEAT-RESISTANT TEMPERATURE: 100°C.
- PEELING STRENGTH: 0.1 ~ 1.3 N (10 ~ 130 GRAMS)
- PEELING SPEED: 300 mm/min.
- EACH BAG SHALL BE INCLUDED DESICCANT.
- 350Pcs/Reel, 8Pcs must emptied Before and After.

此包装适用料号	△	1181-32X51-23B		
		1181-32XCA-23B		
料号				
400 REEL	8 REELS/CARTON	3200 PCS QUANTITY	-- KG GROSS WEIGHT	-- KG NET WEIGHT

△G  
△E  
△E  
△D

F	变更透明载带包装	201901120019	LxiaoL	Nalson	DC	2019.01.12
H	增加橙色料号		LxiaoL	Lijun	Nalson	2018.01.15
G	增加料号&修正资料	20170809002	Jacky. Lv	Lijun	Nalson	2017.08.09
F	增加料号	20160929001	林正武	Rain	DC	2016.09.29
E	增加料号	20160724001	权蕃	Rain	DC	2016.07.24
D	增加黑色料号	20151222001	何健全	Rain	DC	2015.12.22
C	增加贴板脚平面度管控	20151207001	权蕃	Rain	DC	2015.12.07
B	增加贴板脚长度尺寸	20140504002	杜想君	Rain	DC	2014.05.04
A	NEW DARWING	ECN NO.	karen	Chain	DC	2013.04.25
REV.	DESCRIPTION	ECN NO.	DWN.	CHK.	APVD.	DATE

TOLERANCES UNLESS OTHERWISE SPECIFIED	
UNIT	(MM)
X.	±0.20
X.X	±0.15
X.XX	±0.10
X.XXX	±0.05
ANGEL	±1°
3RD.ANGLE'S	

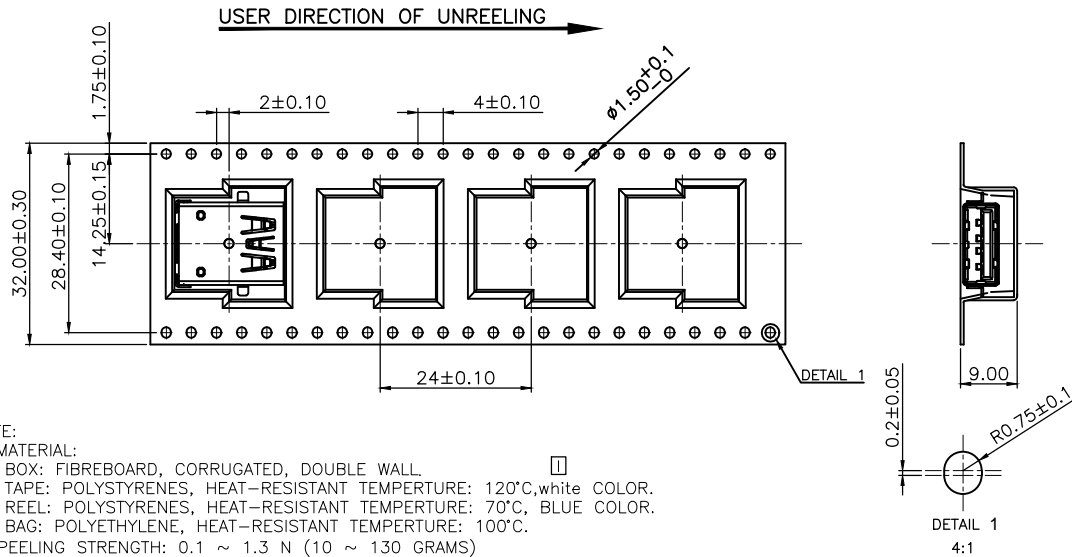
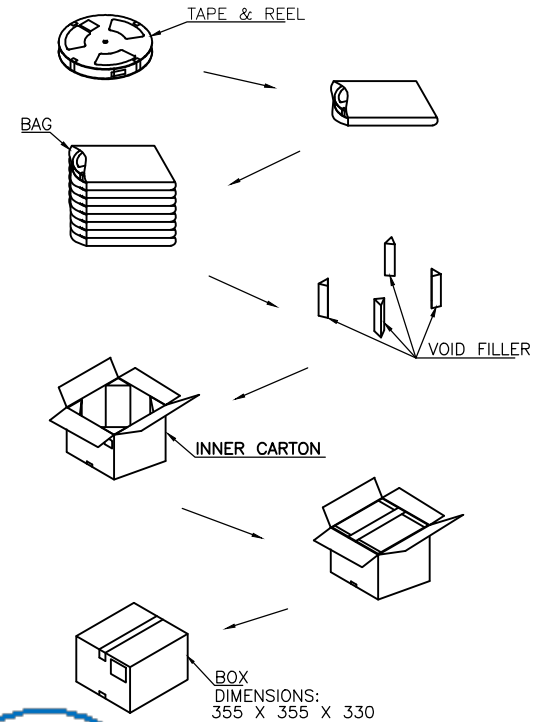
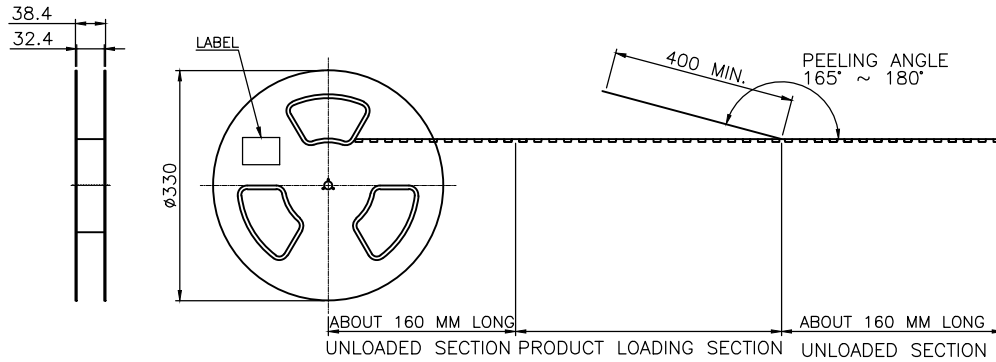
<b>PowerCenter</b> 力源科技(香港)有限公司 力源科技力源电子 POWERCENTER TECHNOLOGY LIMITED	
ORIGINAL DATA 2014.05.04	TITLE USB CONNECTOR, 4.46H CL=1.60H SERIES "A" RECEPTACLE, RIGHT ANGLE, DIP
DWN. 杜想君	
CHK.	PART NO. 1181-32XXX-23X
APVD.	DWG NO. 1181-32551-23A
SCALE 1:1	SIZE A3
SHEET 3/4	REV. I

重点 (M) CPK 管控 (C) 装配 (A) 修改 (X) 尺寸 (XX) 版次

THESE DRAWINGS AND SPECIFICATIONS ARE THE PROPERTY OF POWERCENTER TECHNOLOGY LIMITED, AND SHALL NOT BE REPRODUCED COPIED OR USED IN ANY MANNER WITHOUT THE PRIOR WRITTEN CONSENT OF POWERCENTER TECHNOLOGY LIMITED

文件分发  
生管  
业务  
品保  
QA  
IQC  
生技  
注塑

RoHS Compliant 2013/95/EC HSF



- NOTE:
- MATERIAL:  
BOX: FIBREBOARD, CORRUGATED, DOUBLE WALL.  
TAPE: POLYSTYRENES, HEAT-RESISTANT TEMPERATURE: 120°C, white COLOR.  
REEL: POLYSTYRENES, HEAT-RESISTANT TEMPERATURE: 70°C, BLUE COLOR.  
BAG: POLYETHYLENE, HEAT-RESISTANT TEMPERATURE: 100°C.
  - PEELING STRENGTH: 0.1 ~ 1.3 N (10 ~ 130 GRAMS)
  - PEELING SPEED: 300 mm/min.
  - EACH BAG SHALL BE INCLUDED DESICCANT.
  - 350Pcs/Reel, 8Pcs must emptied Before and After.



I	变更透明载带包装	201901120019	LxiaoL	Nalson	DC	2019.01.12
H	新增橙色料号	20170809002	Jacky. Lv	Lijun	Nalson	2018.01.15
G	增加料号&修正资料	20170809002	Jacky. Lv	Lijun	Nalson	2017.08.08
F	增加料号	20160929001	林正武	Rain	DC	2016.09.29
E	增加料号	20160724001	权 蕾	Rain	DC	2016.07.24
D	增加黑色料号	20151222001	何健全	Rain	DC	2015.12.22
C	增加贴板脚平面度管控	20151207001	权 蕾	Rain	DC	2015.12.07
B	增加贴板脚长度尺寸	20140504002	杜想君	Rain	DC	2014.05.04
A	NEW DARWING	ECN NO.	karen	Chain	DC	2013.04.25
REV.	DESCRIPTION	ECN NO.	DWN.	CHK.	APVD.	DATE

TOLERANCES UNLESS OTHERWISE SPECIFIED	
UNIT	(MM)
X	±0.20
X.X	±0.15
X.XX	±0.10
X.XXX	±0.05
ANGEL	±1°
3RD.ANGLE'S	

<b>PowerCenter</b> 力源科技(香港)有限公司 力源科技力源电子 力源电子科技有限公司 POWERCENTER TECHNOLOGY LIMITED	
ORIGINAL DATA 2014.05.04	TITLE USB CONNECTOR, 4.46H CL=1.60H SERIES "A" RECEPTACLE, RIGHT ANGLE, DIP
DWN. 杜想君	
CHK.	PART NO. 1181-32XCA-23A
APVD.	DWG NO. 1181-32551-23A
SCALE 1:1	SIZE A3
SHEET 4/4	REV. I

此包装适用料号		1181-32551-23A	
		1181-324CA-23A	
料号			
400	8	3200 PCS	-- KG
REEL	REELS/CARTON	QUANTITY	GROSS WEIGHT
			NET WEIGHT