

重点尺寸 (M) CPK 管控 (C) 装配尺寸 (A) 修改版次 (XX)

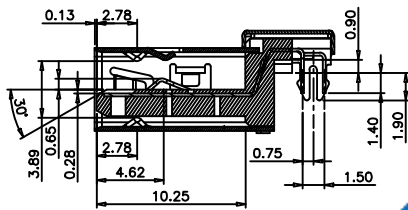
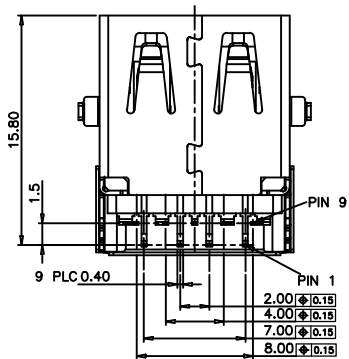
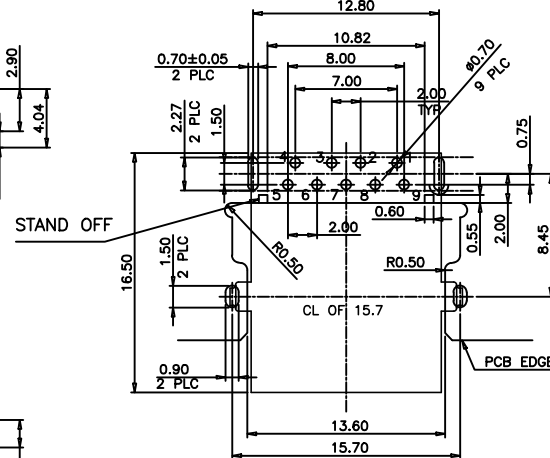
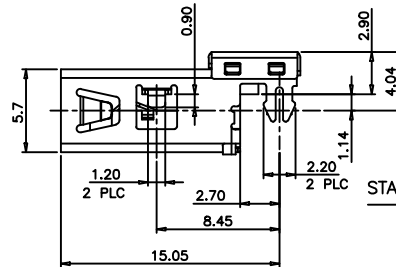
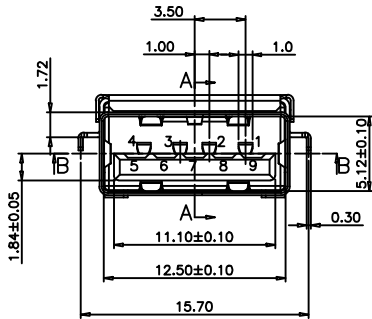
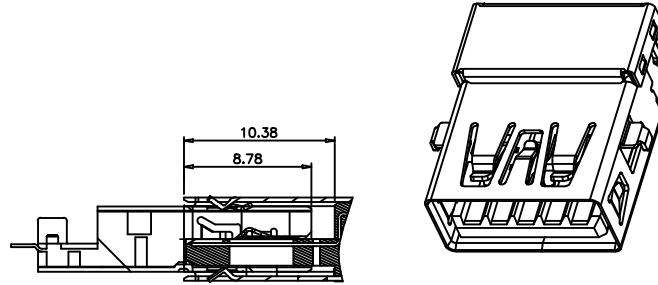
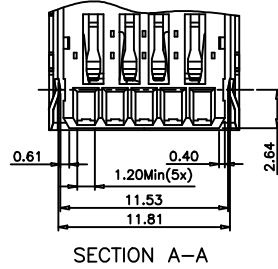
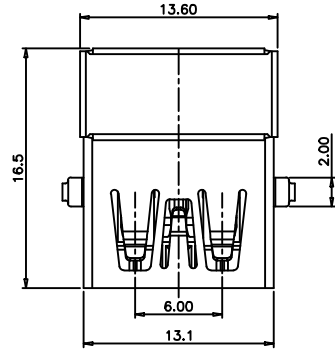
THESE DRAWINGS AND SPECIFICATIONS ARE THE PROPERTY OF POWERCENTER TECHNOLOGY LIMITED, AND SHALL NOT BE REPRODUCED COPIED OR USED IN ANY MANNER WITHOUT THE PRIOR WRITTEN CONSENT OF POWERCENTER TECHNOLOGY LIMITED

文件分发
生管
业务
品保
QA
IQC
生技
注塑
加工
冲压
资料
工程
仓库
IPQC



RoHS Compliant HSF
2013/95/EC

Pin #	SIGNAL NAME	DESCRIPTION	MATING SEQUENCE
1	VBUS	POWER	SECOND
2	D-	USB 2.0 DIFFERENTIAL PAIR	THIRD
3	D+		
4	GND	GROUND FOR POWER RETURN	SECOND
5	StdA_SSRX-	SUPERSPEED RECEIVER DIFFERENTIAL PAIR	LAST
6	StdA_SSRX+		
7	GND_DRAIN	GROUND FOR SIGNAL RETURN	
8	StdA_SSTX-	SUPERSPEED TRANSMITTER DIFFERENTIAL PAIR	
9	StdA_SSTX+		
Shell	Shield	CONNECTOR METAL SHELL	FRIST



TOLERANCE: ±0.05, THICKNESS: 1.2mm
RECOMMENDED PCB LAYOUT (TOP VIEW)
KEEP OUT AREA

- NOTE:
- MATERIAL:
 - INSULATOR: HIGH TEMPERATURE PLASTIC UL 94 V-0;
 - CONTACT: COPPER ALLOY (T=0.20mm)
 - SHELL: SUS201 (T=0.30mm)
 - ELECTRICAL CHARACTERISTICS:
 - CONTACT RESISTANCE: 30mΩ Max
 - CONTACT CURRENT RATING: 1.5A
 - DIELECTRIC WITHSTANDING VOLTAGE: 500 V R.M.S.
 - INSULATION RESISTANCE 100 MEGOHMS Min
 - OPERATING TEMPERATURE: -40° C ~ 85° C
 - MECHANICAL CHARACTERISTICS:
 - MATING FORCE: 25 N Max
 - UNMATED FORCE: 12 N -25N INITIAL; 8 N Min AFTER TEST
 - DURABILITY: 5,000 CYCLES
 - PLATING:
 - TERMINAL CONTACT: (SEE TAB) GOLD PLATING ALL OVER 50u" MIN NICKEL AND 80u" MIN Tin ALL OVER 50u" MIN NICKEL ON SOLDER AREA
 - SHELL: 50u" MIN. NICKEL ALL OVER
 - PART NUMBER:

1181-32XAX-X3A

- G/F
 - 5u"
 - 10u"
 - 15u"
 - 30u"
- 1: Tray
2: Tape real

PA9T+30%GF	COLOR	HOUSING P/N	CONN. P/N
蓝色		2181-07X18-10A	1181-32XA5-23A
黑色		2181-01X18-10A	1181-32XAC-23A



TOLERANCES UNLESS OTHERWISE SPECIFIED	
UNIT	(MM)
X.	±0.50
X.X	±0.30
X.XX	±0.20
X.XXX	±0.10
ANGEL	±2°

Powercenter 力源科技(香港)有限公司
力源科技力源电子 力源电子科技有限公司
POWERCENTER TECHNOLOGY LIMITED

ORIGINAL DATA	TITLE
2014.11.03	USB3.0 AF S-1.14mm L16.5mm DIP TYPE

CHK.	PART NO.	SCALE	SIZE
	1181-32XAX-23A	1:1	A4
APVD.	DWG NO.	SHEET	REV.
	1181-32XAX-23A	1/2	C

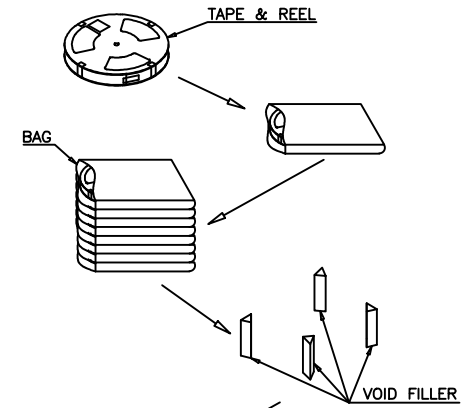
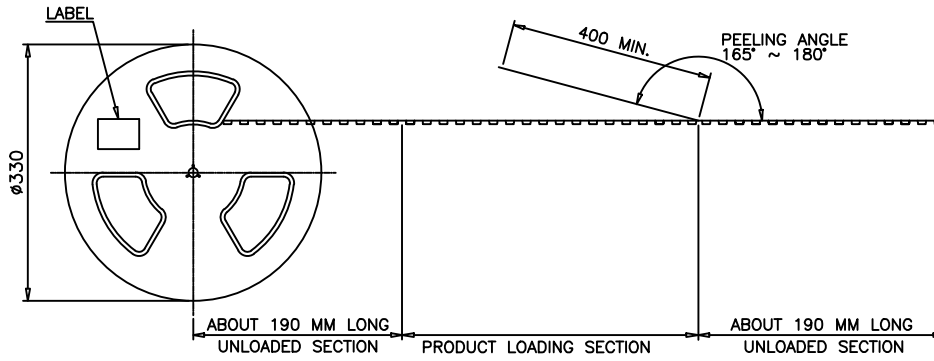
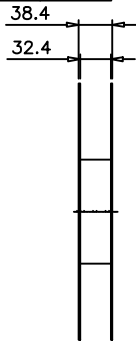
REV.	DESCRIPTION	ECN NO.	DWN.	CHK.	APVD.	DATE
C	变更插拔力标准	20150912001	权雷	Rain	DC.Feng	2015.09.12
B	新增黑色胶芯料号	20141103001	权雷	Rain	DC.Feng	2014.11.03
A	NEW DRAWING	ECN NO.	王峰	Chain	DC.Feng	2014.09.10

重点尺寸 (M) CPK 管控 (C) 装配尺寸 (A) 修改版次 (XX)

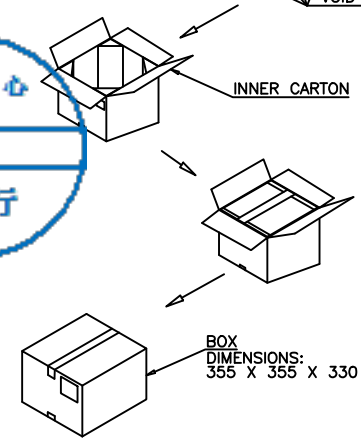
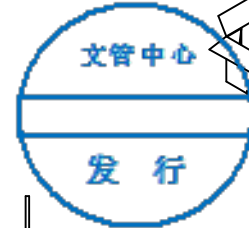
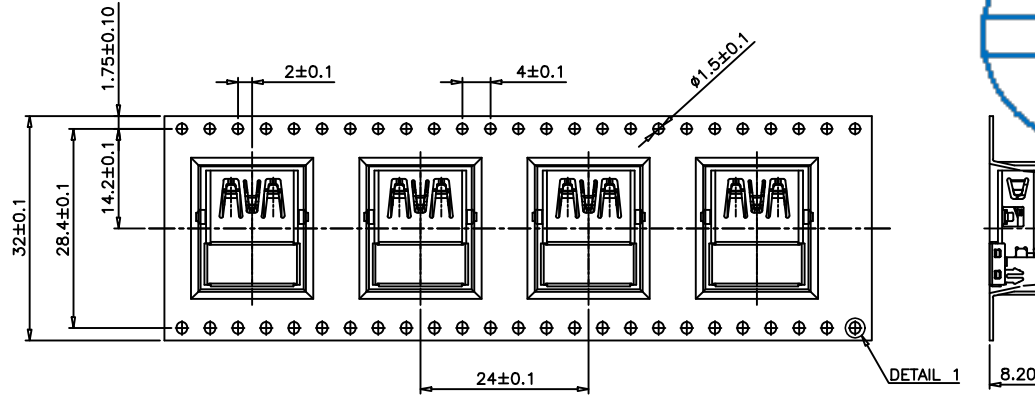
THESE DRAWINGS AND SPECIFICATIONS ARE THE PROPERTY OF POWERCENTER TECHNOLOGY LIMITED, AND SHALL NOT BE REPRODUCED COPIED OR USED IN ANY MANNER WITHOUT THE PRIOR WRITTEN CONSENT OF POWERCENTER TECHNOLOGY LIMITED

文件分发
生管
业务
品保
QA
IQC
生技
注塑
加工
冲压
资料
工程
仓库
IPQC

RoHS Compliant HSF
2013/95/EC

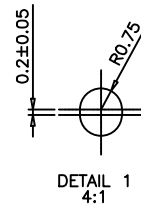


USER DIRECTION OF UNREELING →



NOTE:

- MATERIAL:
BOX: FIBREBOARD, CORRUGATED, DOUBLE WALL.
TAPE: POLYSTYRENES, HEAT-RESISTANT TEMPERATURE: 120°C, BLACK COLOR.
REEL: POLYSTYRENES, HEAT-RESISTANT TEMPERATURE: 70°C, BLUE COLOR.
BAG: POLYETHYLENE, HEAT-RESISTANT TEMPERATURE: 100°C.
- PEELING STRENGTH: 0.1 ~ 1.3 N (10 ~ 130 GRAMS)
- PEELING SPEED: 300 mm/min.
- EACH BAG SHALL BE INCLUDED DESICCANT.



350	8	2800 PCS	-- KG	-- KG
PCS/ REEL	REELS/ CARTON	QUANTITY	GROSS WEIGHT	NET WEIGHT

TOLERANCES UNLESS OTHERWISE SPECIFIED		力源科技(香港)有限公司 力源科技力郡电子 POWERCENTER TECHNOLOGY LIMITED		
UNIT (MM)	ORIGINAL DATA	TITLE		
X. ±0.50	2014.09.10	USB3.0 AF S-1.14mm L16.5mm DIP TYPE		
X.X ±0.30	DWN. 王峰			
X.XX ±0.20	CHK.	PART NO.	SCALE	SIZE
X.XXX ±0.10		1181-32XAX-23A	1:1	A4
ANGEL ±2°	APVD.	DWG NO.	SHEET	REV.
		1181-32XAX-23A	2/2	C

C	变更插拔力标准	20150912001	权蕾	Rain	DC.Feng	2015.09.12
B	新增黑色胶芯料号	20141103001	权蕾	Rain	DC.Feng	2014.11.03
A	NEW DRAWING	ECN NO.	王峰	Chain	DC.Feng	2014.09.10
REV.	DESCRIPTION	ECN NO.	DWN.	CHK.	APVD.	DATE