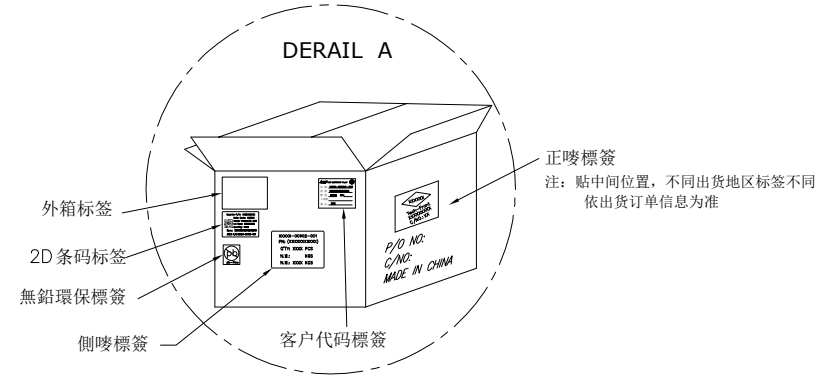
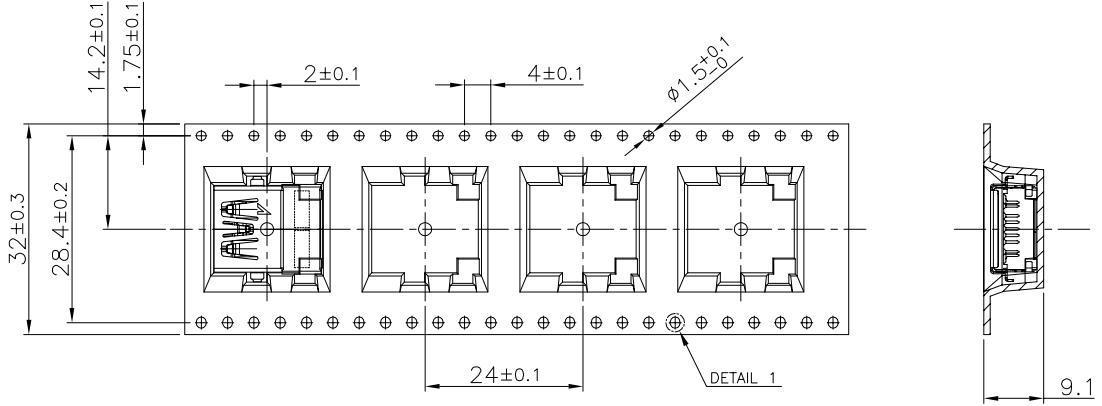
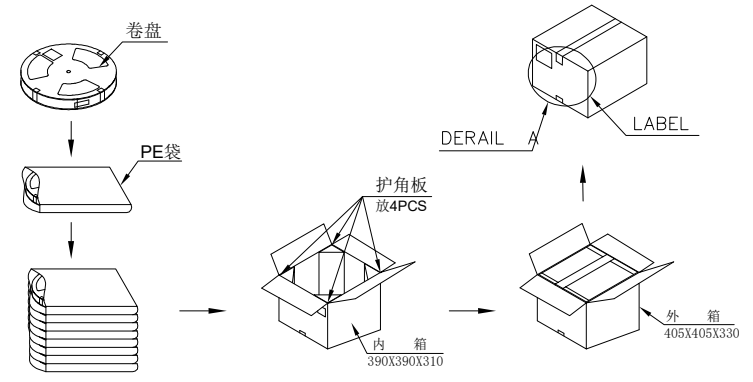
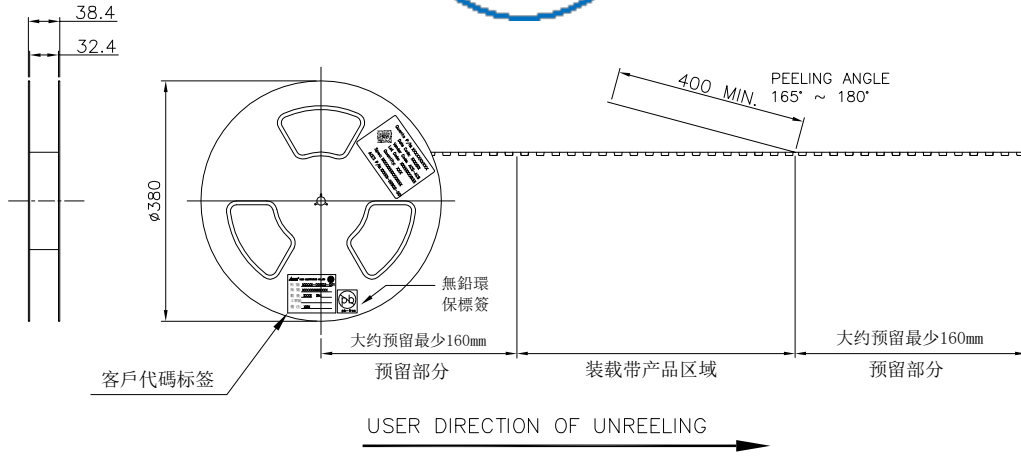


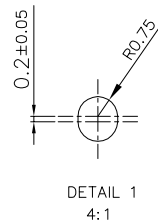
文件分发
生管
业务
品保
QA
IQC
生技
注製

Pb Process Capable
RoHS Compliant
2013/95/EC
HSF

文管中心
2022.09.15
发行



- NOTE:
- MATERIAL:
BOX: FIBREBOARD, CORRUGATED, DOUBLE WALL.
TAPE: POLYSTYRENES, HEAT-RESISTANT TEMPERATURE: 120°C, BLACK COLOR.
REEL: POLYSTYRENES, HEAT-RESISTANT TEMPERATURE: 70°C, BLUE COLOR.
BAG: POLYETHYLENE, HEAT-RESISTANT TEMPERATURE: 100°C.
 - PEELING STRENGTH: 0.1 ~ 1.3 N (10 ~ 130 GRAMS)
 - PEELING SPEED: 300 mm/min.
 - EACH BAG SHALL BE INCLUDED DESICCANT.



400	8	3200 PCS	-- KG	-- KG
PCS/ REEL	REELS/ CARTON	QUANTITY	GROSS WEIGHT	NET WEIGHT

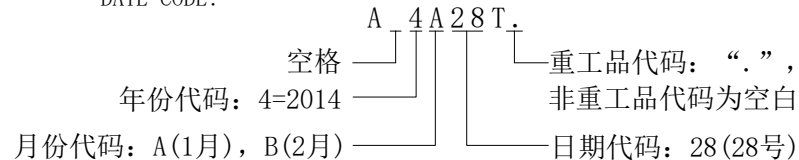
TOLERANCES UNLESS OTHERWISE SPECIFIED		PowerCenter 力源科技 (香港) 有限公司 力源科技力郡电子 力郡电子科技有限公司 POWERCENTER TECHNOLOGY LIMITED		
UNIT (MM)	ORIGINAL DATA	TITLE		
X. ±0.35	2015.06.01	USB3 AF RVS CL-1.54mm L16.5mm		
X.X ±0.25	DWN.	何健全 DIP TYPE 包装图		
X.XX ±0.15	CHK.	LxiaoL	PART NO.	SCALE
X.XXX ±0.10	APVD.	FCC	1181-32XB8-23A	1:1
ANGEL ±2'			DWG NO.	SIZE
			1181-321B8-23A	A4
3RD.ANGLE'S			SHEET	REV.
			2/2	E

- 文件
- 分发
- 生管
- 业务
- 品保
- QA
- IQC
- 生技
- 注塑
- 加工
- 冲压
- 资料
- 工程
- 仓库
- IPQC

Pb Process Exempt
RoHS Compliant
 2013/95/EC
HSF

修改前

DATE CODE:



修改后

将DATE CODE删除，详细要求见喷码原则文件。



TOLERANCES UNLESS OTHERWISE SPECIFIED		PowerCenter 力源科技(香港)有限公司 力源科技力郡电子 POWERCENTER TECHNOLOGY LIMITED			
UNIT (MM)		ORIGINAL DATA	TITLE		
X. ±0.50		2015.05.06	USB3 AF RVS CL-1.54mm L16.5mm		
X.X ±0.30		DWN. 何健全	DIP TYPE		
X.XX ±0.20		CHK. LxiaoL	PART NO.	SCALE	SIZE
X.XXX ±0.10		APVD. FCC	1181-32XXX-23A	1:1	A4
ANGEL ±2'			DWG NO.	SHEET	REV.
			1181-321B8-23A	1/1	E