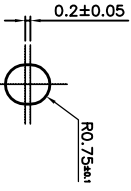
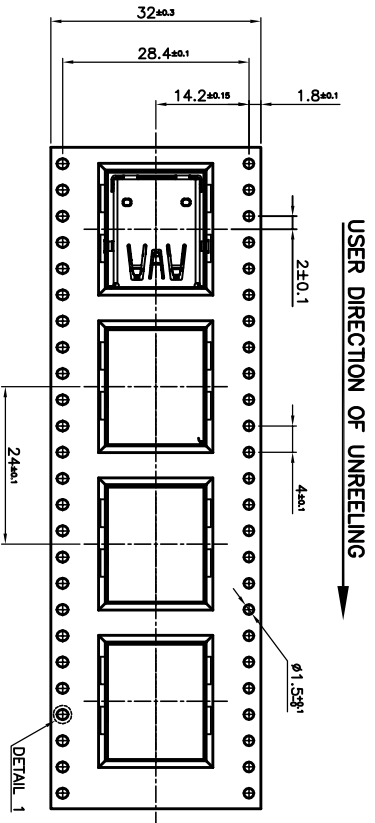
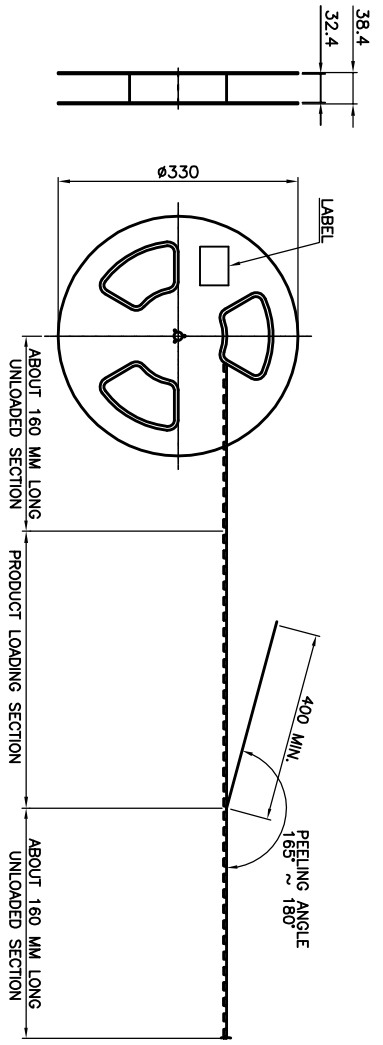


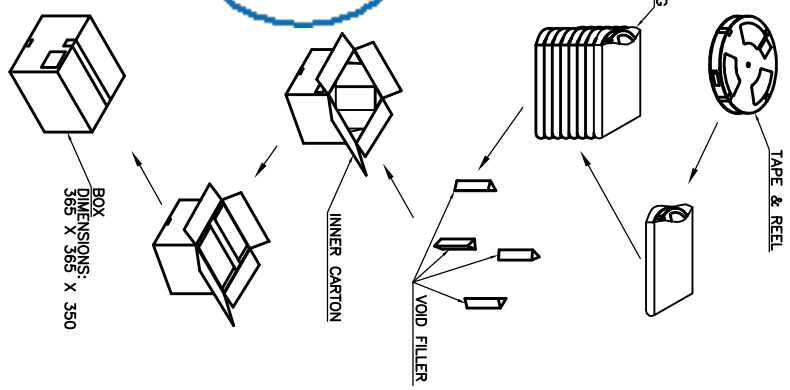
RoHS Compliant HSF
 2013/95/EC

文件	CPK
业务	温控
制程	尺寸
材料	版次
工程	XX
品质	
生产	
加工	
注塑	
冲压	
压铸	
电镀	
涂装	
其他	
IPQC	



USER DIRECTION OF UNREELING

文管中心
 2021.03.02
 发行



- NOTE:
- MATERIAL:
 BOX: FIBREBOARD, CORRUGATED, DOUBLE WALL.
 TAPE: POLYSTYRENES, HEAT-RESISTANT TEMPERATURE: 120°C, BLACK COLOR.
 REEL: POLYSTYRENES, HEAT-RESISTANT TEMPERATURE: 70°C, BLUE COLOR.
 BAG: POLYETHYLENE, HEAT-RESISTANT TEMPERATURE: 100°C.
 - PEELING STRENGTH: 0.1 ~ 1.3 N (10 ~ 130 GRAMS)
 - PEELING SPEED: 300 mm/min.
 - EACH BAG SHALL BE INCLUDED DESICCANT.

C	依外形修改袋变外观	20210223002	Cshoox	Cshoox	CC,Feng	2021.02.23
B	依外形修改袋变外观	20210201219	Cshoox	Cshoox	CC,Feng	2021.02.02
A	NEW DRAWING		2W-Lin	Nelson	DC	2016.12.13
REV.	DESCRIPTION	ECON NO.	DWN.	CHK.	APVD.	DATE

TOLERANCES UNLESS OTHERWISE SPECIFIED

UNIT	(MM)
X	±0.50
X X	±0.30
X.XX	±0.20
X.XXX	±0.10
ANGLE	±2°

ORIGINAL DATA	TITLE
2016.12.13	USB CONNECTOR, AF RVS 3.18H
DWN. 林正武	CL=0.32H L17.22mm DIP TYPE
CHK. Cshoox	PART NO. SEE TABLE
APVD. CC,Feng	DWG NO. 1181-325DK-23A

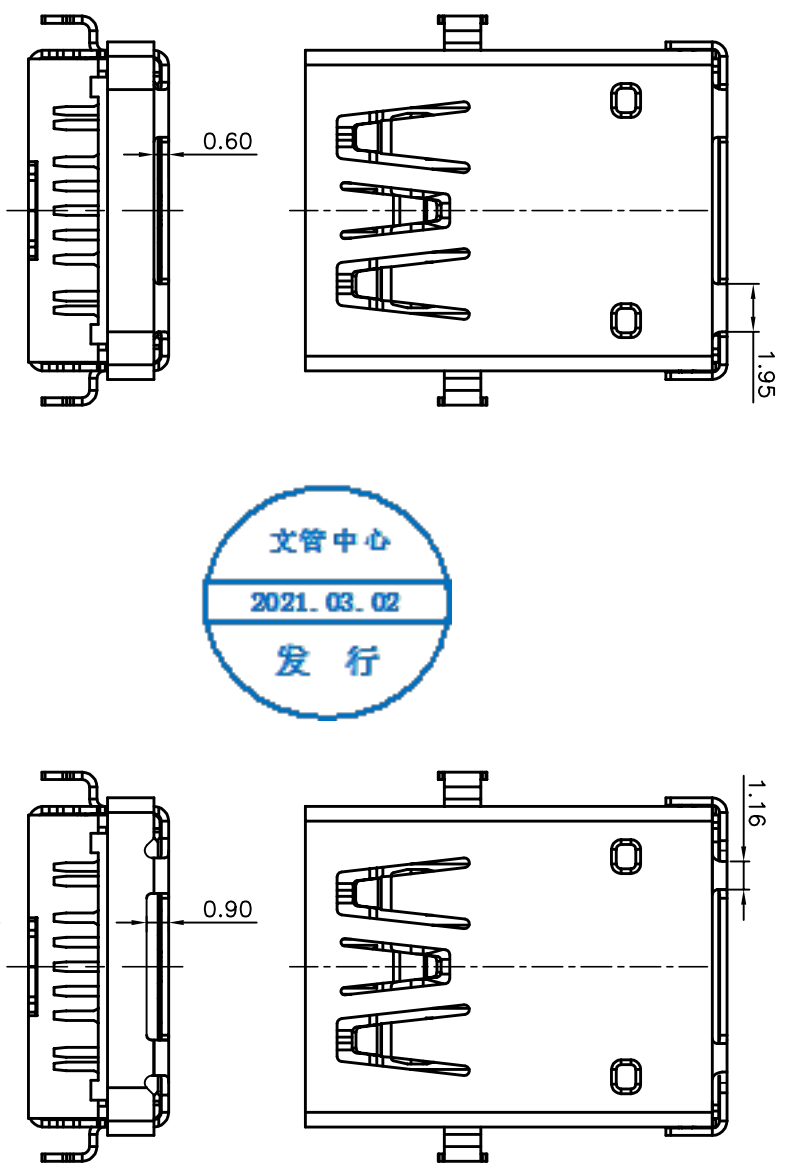
PCS/REEL/CARTON	8	3200 PCS	-- KG	-- KG
REEL		QUANTITY	NET WEIGHT	NET WEIGHT

THESE DRAWINGS AND SPECIFICATIONS ARE THE PROPERTY OF POWERCENTER TECHNOLOGY LIMITED, AND SHALL NOT BE REPRODUCED COPIED OR USED IN ANY MANNER WITHOUT THE PRIOR WRITTEN CONSENT OF POWERCENTER TECHNOLOGY LIMITED

THESE DRAWINGS AND SPECIFICATIONS ARE THE PROPERTY OF POWERCENTER TECHNOLOGY LIMITED, AND SHALL NOT BE REPRODUCED COPIED OR USED IN ANY MANNER WITHOUT THE PRIOR WRITTEN CONSENT OF POWERCENTER TECHNOLOGY LIMITED

文件 CPK
 分发 尺寸
 业务 尺寸
 品保 版次
 QA XX
 ICG
 生技
 注册
 加工
 冲压
 资材
 工程
 企画
 PQC

Pb
 Process Capable
RoHS Compliant HSF
 2013/95/EC



变更前

变更后

文管中心
 2021.03.02
 发行

TOLERANCES UNLESS OTHERWISE SPECIFIED		POWERON 力源科技 (香港) 有限公司 力源科技力源电子 POWERCENTER TECHNOLOGY LIMITED	
UNIT	(MM)	ORIGINAL DATA	TITLE
X	±0.50	2016.12.13	USB CONNECTOR, AF RVS 3.18H
X.X	±0.30	DWN. 林正武	CL=0.32H L17.22mm DIP TYPE
X.XX	±0.20	CHK. CshqoX	PART NO. SEE TABLE
X.XXX	±0.10	APVD. CC.Feng	DWG NO. 1181-325DK-23A
ANGEL	±2°		SCALE 1:1
3RD. ANGLES			SIZE A4
			SHEET 1/1
			REV. C

C-Customer(Asy) 8 7 6 5 4 3 2 1 PC-4-E-02A