

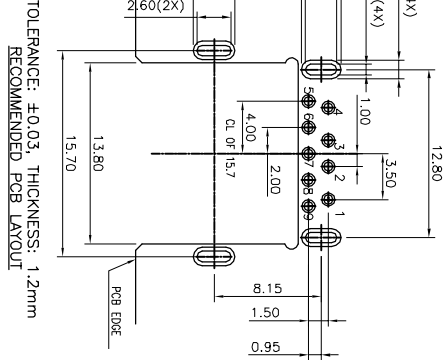
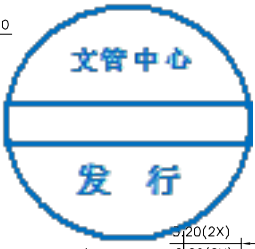
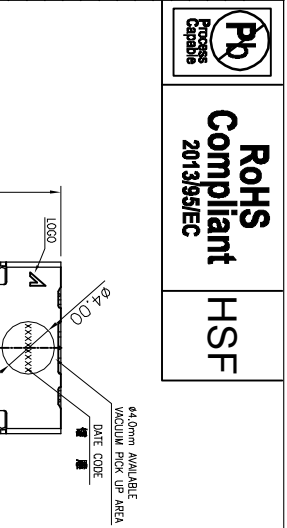
文件
分发
生产
业务
QA
IEC
注册
加工
冲压
材料
工程
仓库
POD



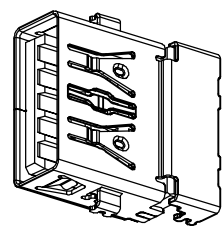
RoHS Compliant
2013/95/EC

HSF

尺寸 管理 尺寸 版本



TOLERANCE: ±0.03, THICKNESS: 1.2mm
RECOMMENDED PCB LAYOUT



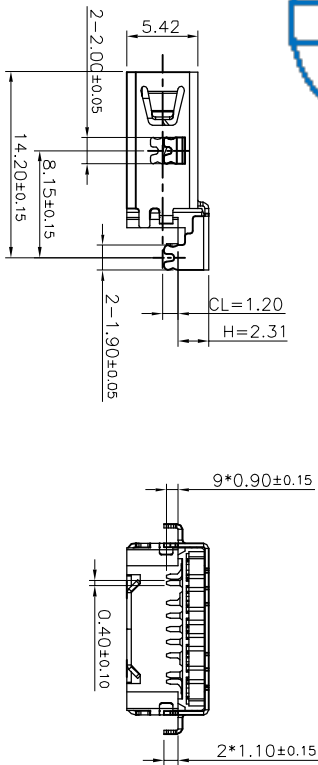
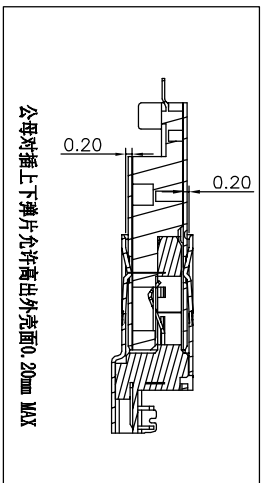
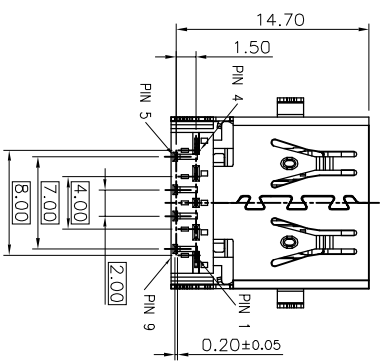
THESE DRAWINGS AND SPECIFICATIONS ARE THE PROPERTY OF POWERCENTER TECHNOLOGY LIMITED, AND SHALL NOT BE REPRODUCED COPIED OR USED IN ANY MANNER WITHOUT THE PRIOR WRITTEN CONSENT OF POWERCENTER TECHNOLOGY LIMITED

Pin #	SIGNAL NAME	DESCRIPTION	MATING SEQUENCE
1	VBUS	POWER	SECOND
2	D-	USB 2.0 DIFFERENTIAL PAIR	THIRD
3	D+	DIFFERENTIAL PAIR	
4	GND	GROUND FOR POWER RETURN	SECOND
5	SDA_SSRV-	SUPERSEDED RECEIVER DIFFERENTIAL PAIR	LAST
6	SDA_SSRV+		
7	GND_DRAIN	GROUND FOR SIGNAL RETURN	
8	SDA_SSTV-	SUPERSEDED TRANSMITTER DIFFERENTIAL PAIR	
9	SDA_SSTV+		
Shell	Shield	CONNECTOR METAL SHELL	FIRST

NOTE:

- MATERIAL:
 - INSULATOR: HIGH TEMPERATURE PLASTIC UL 94 V-0, BLACK;
 - CONTACT: COPPER ALLOY (T=0.20mm)
 - SHELL: SUS201 (T=0.30mm)
- ELECTRICAL CHARACTERISTICS:
 - CONTACT RESISTANCE: 30mΩ Max
 - CONTACT CURRENT RATING: 1.5A
 - DIELECTRIC WITHSTANDING VOLTAGE: 500 V R.M.S.
 - INSULATION RESISTANCE: 100 MEGOHMS Min
 - OPERATING TEMPERATURE: -40° C ~ 85° C
- MECHANICAL CHARACTERISTICS:
 - MATING FORCE: 35 N Max
 - UNMATED FORCE: 10 N Min INITIAL; 8 N Min AFTER TEST
 - DURABILITY: 5,000 CYCLES
- PLATING:
 - TERMINAL CONTACT: (SEE TAB) GOLD PLATING ON CONTACT AREA AND 80μ" MIN TIN ON SOLDER AREA, 50μ" MIN NICKEL ALL OVER.
 - SHELL: 50μ" MIN. NICKEL ALL OVER
- PART NUMBER: 1181-32XDM-23A

- 1: G/F A: 黑色
2: 5u" B: 蓝色
3: 10u" 1: Tray
4: 15u" 2: Tape Reel
5: 30u"



REV. DESCRIPTION	ECN NO.	DWN.	CHK.	APVD.	DATE
A NEW DAWNING		Lizufeng	Roh	DC	2017.01.10

TOLERANCES UNLESS OTHERWISE SPECIFIED	UNIT (MM)	ORIGINAL DATA	TITLE
X	±0.50	DWN. 2017.01.09	USB3.0 RVS SINK A TYPE CL1.20mm
X.X	±0.30	Lizufeng	
X.XX	±0.20		
X.XXX	±0.10		
ANGEL	±2°		

3RD ANGLE'S	APVD.	DWG NO.	SCALE	SIZE
		1181-32XDM-23A	1:1	A4
		1181-321DM-23A	SHEET 1/2	REV. A

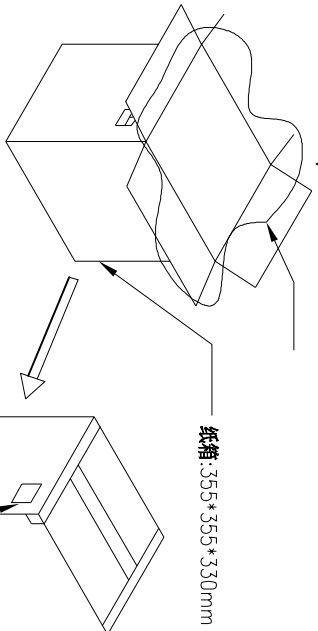
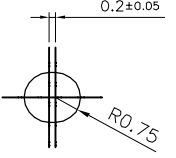
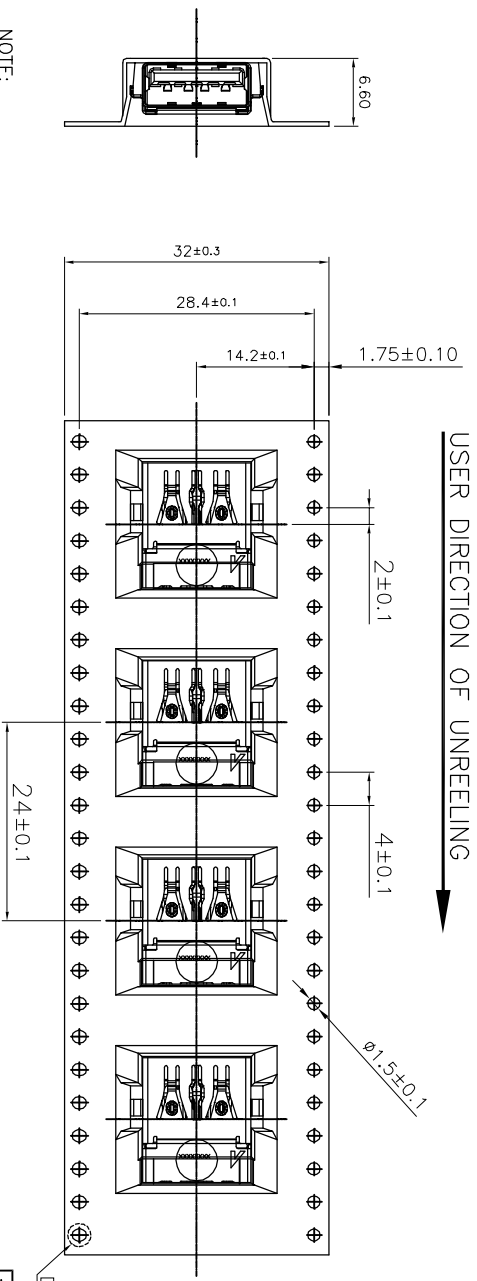
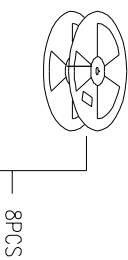
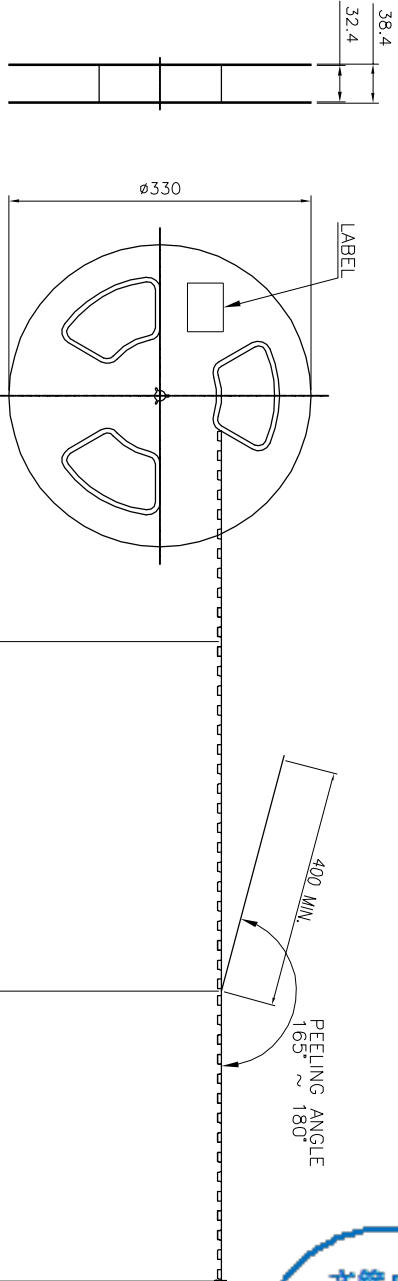
文件	分卷
业务	名称
QA	名称
IPC	名称
IPC	名称

Pb
RoHS
Compliant
2013/95/EC

HSF

尺寸
CPK
公差
版本
XX

THESE DRAWINGS AND SPECIFICATIONS ARE THE PROPERTY OF POWERCENTER TECHNOLOGY LIMITED, AND SHALL NOT BE REPRODUCED COPIED OR USED IN ANY MANNER WITHOUT THE PRIOR WRITTEN CONSENT OF POWERCENTER TECHNOLOGY LIMITED.



400	8	3200	KG	KG
PCS/ REELS/ REEL	CARTON	QUANTITY	GROSS WEIGHT	NET WEIGHT

PowerCenter
力源科技(香港)有限公司
力源电子科技有限公司
POWERCENTER TECHNOLOGY LIMITED

ORIGINAL DATA	TITLE
2017.01.09	USB3.0 RVS SINK A TYPE CL1.20mm
DWG. Lizufeng	
CHK. Lizufeng	
APVD.	
PART NO. 1181-32X0M-23A	SCALE 1:1
DWG NO. 1181-3210M-23A	SHEET 1/2
	REV. A

- NOTE:
1. MATERIAL:
BOX: FIBREBOARD, CORRUGATED, DOUBLE WALL.
TAPE: POLYSTYRENES, HEAT-RESISTANT TEMPERATURE: 120°C, BLACK COLOR.
REEL: POLYSTYRENES, HEAT-RESISTANT TEMPERATURE: 70°C, BLUE COLOR.
BAG: POLYETHYLENE, HEAT-RESISTANT TEMPERATURE: 100°C.
 2. PEELING STRENGTH: 0.1 ~ 1.3 N (10 ~ 130 GRAMS)
 3. PEELING SPEED: 300 mm/min.
 4. EACH BAG SHALL BE INCLUDED DESICCANT.