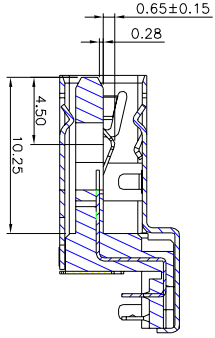
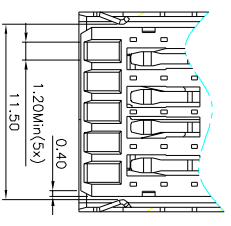
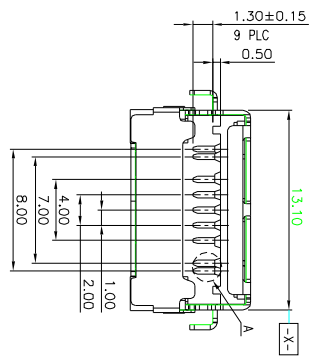
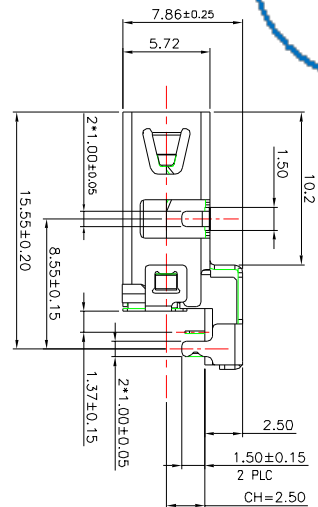
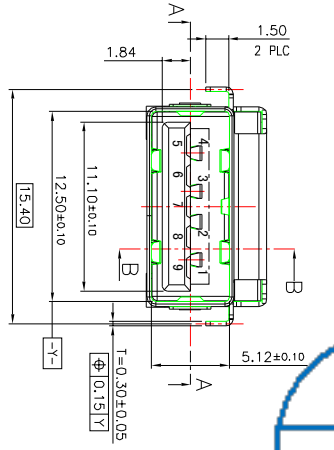


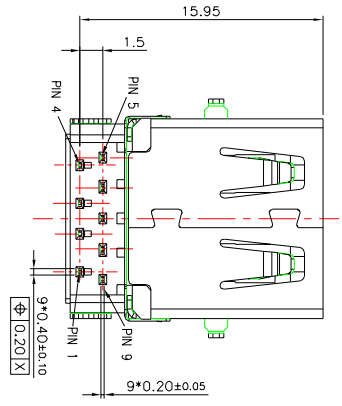
文管中心
 发行

TOLERANCE: ±0.05, THICKNESS: 1.2mm
 RECOMMENDED PCB LAYOUT
 KEEP OUT AREA



SECTION A-A

SECTION B-B



REV.	DESCRIPTION	ECN NO.	DWN.	CHK.	APVD.	DATE
A	正式发行		JQ	Rain	DC	2016.03.24
B	改模新增材料, 变更零件结构	20160922001	Andy	Rain	DC	2016.09.22
C	新增蓝色料号		Lxiool	xiool	Noison	2018.03.13

UNIT	TOLERANCES UNLESS OTHERWISE SPECIFIED (MM)
X	±0.50
X X	±0.30
X XX	±0.20
X XXX	±0.10
ANGEL	±2°

ORIGINAL DATA	TITLE	PART NO.	SCALE
2015.12.23	USB3.0 AF RVS CL-2.50mm L16.90mm DIP	1181-32XX-23A	2:1
DWN. 肖贝鹏		1181-32XC9-23A	A4
CHK. Lxiool		1181-32XC9-23A	1/2

Powercenter 力源科技 (香港) 有限公司
 力源科技力源电子 POWERCENTER TECHNOLOGY LIMITED

颜色	PART NUMBER
蓝色	1181-32XE7-23A
黑色	1181-32XC9-23A

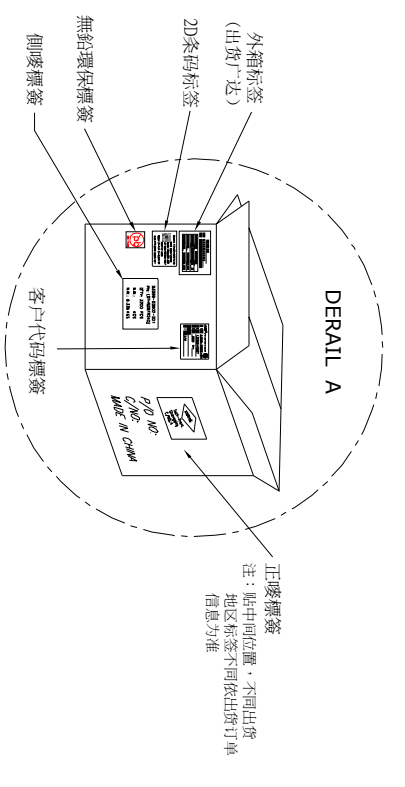
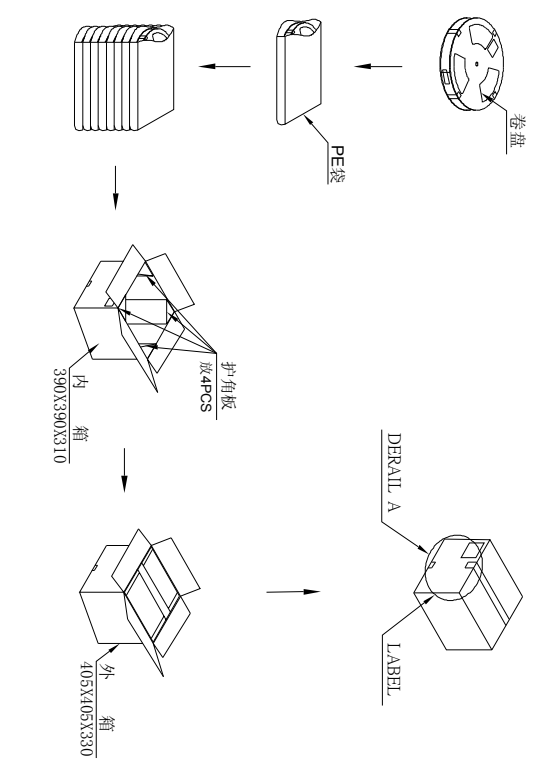
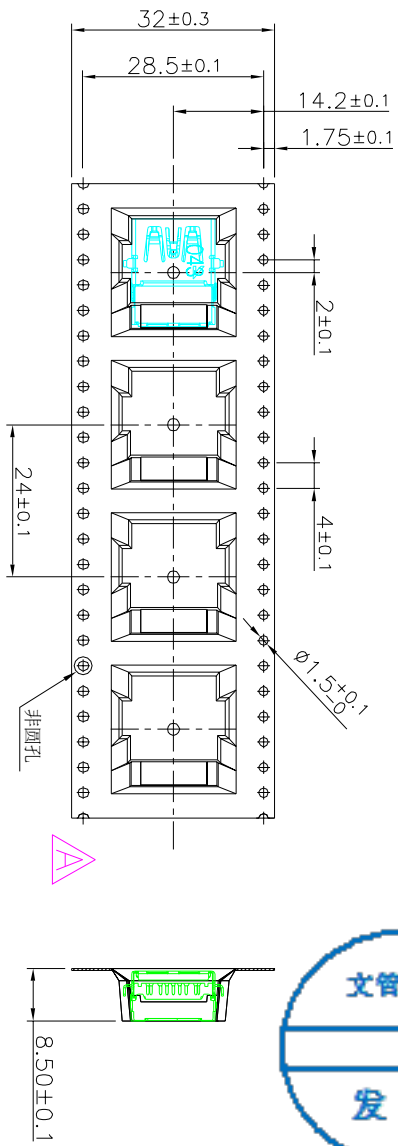
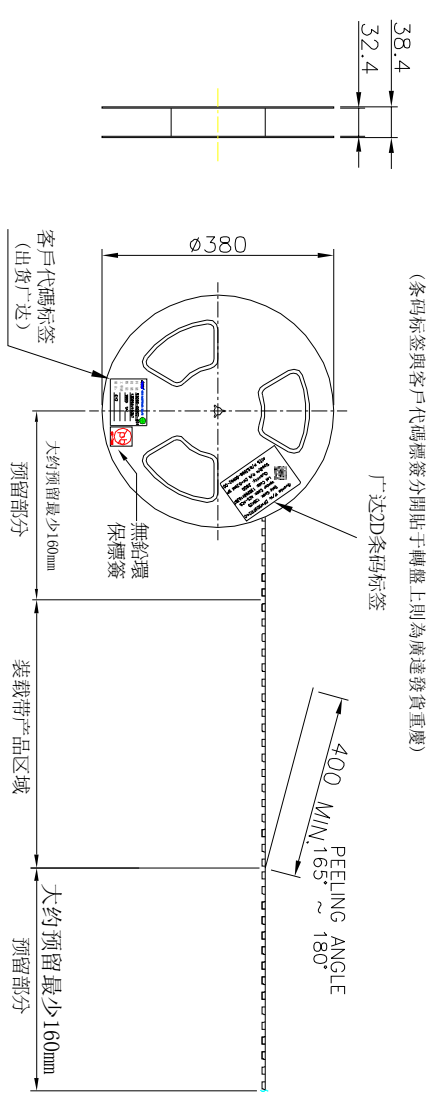
- 1.1 INSULATOR: HIGH TEMPERATURE PLASTIC UL 94 V-0
- 1.2 CONTACT: COPPER ALLOY (T=0.20mm)
- 1.3 SOLDER: SPS201 (T=0.30mm)
2. ELECTRICAL CHARACTERISTICS:
 - 2.1 CONTACT RESISTANCE: 30mΩ Max
 - 2.2 CONTACT CURRENT RATING: 1.5A
 - 2.3 DIELECTRIC WITHSTANDING VOLTAGE: 500 V R.M.S.
 - 2.4 INSULATION RESISTANCE 100 MEGOHMS Min
 - 2.5 OPERATING TEMPERATURE: -40° C ~ 85° C
- 3 MECHANICAL CHARACTERISTICS:
 - 3.1 MATING FORCE: 35 N Max
 - 3.2 UNMATED FORCE: 10 N Min INITIAL, 8 N Min AFTER TEST
 - 3.3 DURABILITY: 5,000 CYCLES
 - 3.4 PLATING
 - 4.1 TERMINAL CONTACT: GOLD PLATING ALL OVER
 - 4.2 SOLDER: 500° MIN NICKEL AND 1000° MIN TIN ALL OVER
 - 4.3 SOLDER: 500° MIN NICKEL ON SOLDER AREA
 - 4.4 PART NUMBER: 1181-32XXX-23A

THESE DRAWINGS AND SPECIFICATIONS ARE THE PROPERTY OF POWERCENTER TECHNOLOGY LIMITED, AND SHALL NOT BE REPRODUCED, COPIED OR USED IN ANY MANNER WITHOUT THE PRIOR WRITTEN CONSENT OF POWERCENTER TECHNOLOGY LIMITED

尺寸 管控 尺寸 版本 XX

Pb RoHS Compliant 2013/59/EC HSF

文件 分类 主管 业务 品质 QA IQC 制程 物料 工程 仓库 PQC



1. 检验重点：首件及制程检验时，一定要取1-2M载带将产品放入载带内载带垂直90°时产品要自由掉落下来。
2. 自粘性上代与载带的剥离力为0.2~1.2N

PCS/ REEL	REELS/ CARTON	QUANTITY	GROSS WEIGHT	NET WEIGHT
400	8	3200 PCS	-- KG	-- KG

TOLERANCES UNLESS OTHERWISE SPECIFIED		UNIT (MM)	
X	±0.25	X	±0.20
X X	±0.15	X X X	±0.15
X X X	±0.05	X X X X	±0.05
ANGLE	±1°		
3RD ANGLE'S			
ORIGINAL DATA	2015.12.23	TITLE	USB3.0 AF RVS CL-2.50mm L16.90mm DIP
CHK.	LXIGOL	PART NO.	1181-32XX-23A
APVD.	Noison	DWG. NO.	1181-32XC9-23A
		SHEET	2/2
		SCALE	2:1
		SIZE	A4
		REV.	C

Powercenter 力源科技 (香港) 有限公司
Powercenter 力源电子科技 (香港) 有限公司
 POWERCENTER TECHNOLOGY LIMITED