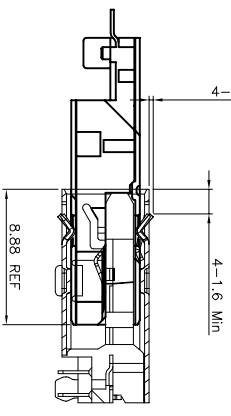
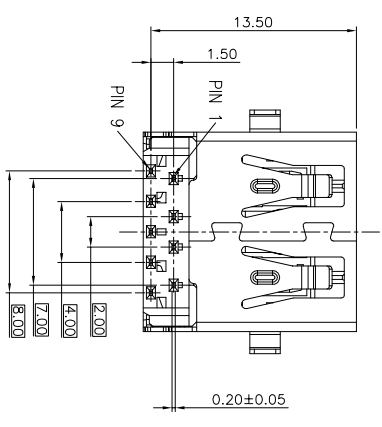
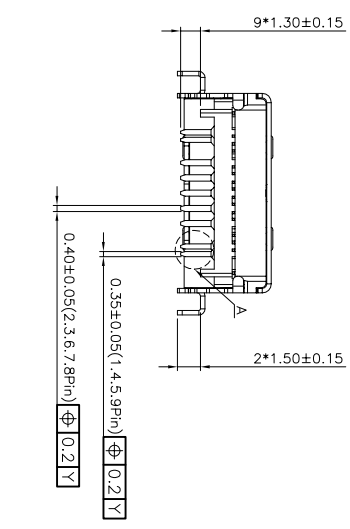
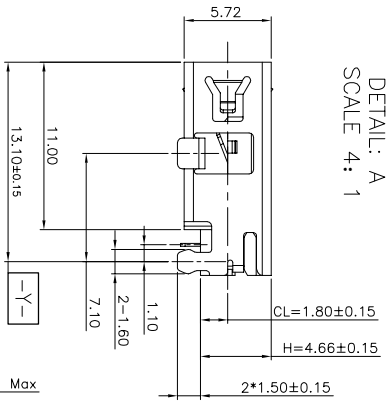
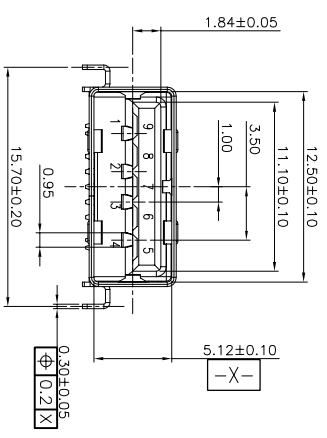
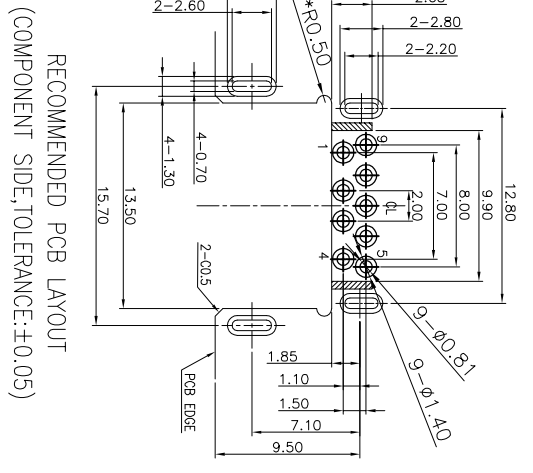
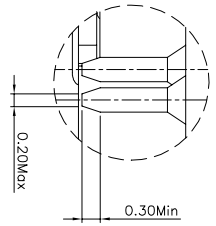
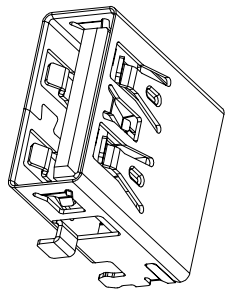
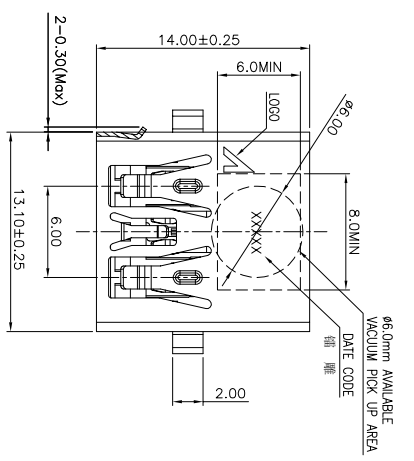


| | |
|-----|------|
| 文件 | 分發 |
| 生管 | 業務 |
| 品保 | QA |
| IEC | |
| 在控 | 加工 |
| 送檢 | 沖壓 |
| 物料 | 工程 |
| 倉庫 | IPQC |

Pb
RoHS Compliant
2013/59/EC
HSF



| Pin # | SIGNAL NAME | DESCRIPTION | MATING SEQUENCE |
|-------|-------------|---|-----------------|
| 1 | VBUS | POWER | SECOND |
| 2 | D- | USB 2.0 DIFFERENTIAL PAIR | THIRD |
| 3 | D+ | DIFFERENTIAL PAIR | |
| 4 | GND | GROUND FOR POWER RETURN | SECOND |
| 5 | SIDA_SSRX- | SUPERPEED RECEIVER DIFFERENTIAL PAIR | LAST |
| 6 | SIDA_SSRX+ | SUPERPEED RECEIVER DIFFERENTIAL PAIR | |
| 7 | GND_DRAIN | GROUND FOR SIGNAL RETURN | |
| 8 | SIDA_SSTX- | SUPERPEED TRANSMITTER DIFFERENTIAL PAIR | |
| 9 | SIDA_SSTX+ | SUPERPEED TRANSMITTER DIFFERENTIAL PAIR | |
| Shell | Shield | CONNECTOR METAL SHELL | FIRST |

NOTE:

- MATERIAL:
 - INSULATOR: HIGH TEMPERATURE PLASTIC, BLUE, UL 94 V-0
 - CONTACT: COPPER ALLOY (T=0.20mm)
 - SHELL: SUS301 (T=0.30mm)
- ELECTRICAL CHARACTERISTICS:
 - CONTACT RESISTANCE: 30mΩ Max
 - CONTACT CURRENT RATING: 1.5A
 - DIELECTRIC WITHSTANDING VOLTAGE: 500 V R.M.S.
 - INSULATION RESISTANCE: 100 MEGOHMS Min
 - OPERATING TEMPERATURE: -40° C ~ 85° C
- MECHANICAL CHARACTERISTICS:
 - MATING FORCE: 35 N Max
 - UNMATED FORCE: 10 N Min INITIAL; 8 N Min AFTER TEST
 - DURABILITY: 5,000 CYCLES
- PLATING:
 - TERMINAL CONTACT: GOLD PLATING ALL OVER
 - MIN NICKEL AND 80u" MIN TIN ALL OVER
 - 50u" MIN NICKEL ON SOLDER AREA
 - SHELL: 500u" MIN NICKEL ALL OVER
- PART NUMBER: 1181-32YFB-23A
 - G/F: 2: 5u"
 - 10u" 4: 15u"
 - 30u"
 - 1: Troy
 - 2: Tape Reel
 - 30u"

| UNIT | (MM) |
|-------|-------|
| X | ±0.50 |
| X X | ±0.30 |
| X.XX | ±0.20 |
| X.XXX | ±0.10 |
| ANGEL | ±2° |

Powercenter 力源科技 (香港) 有限公司
力源科技力源电子 POWERCENTER TECHNOLOGY LIMITED

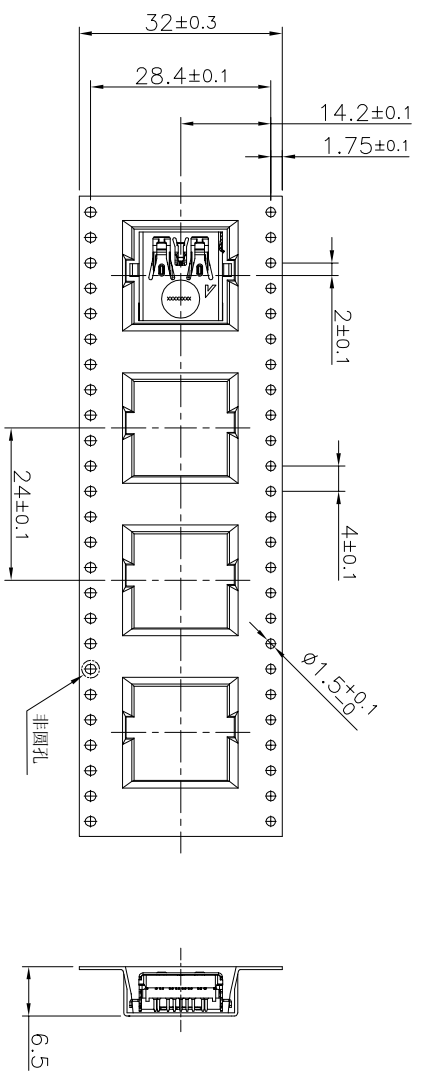
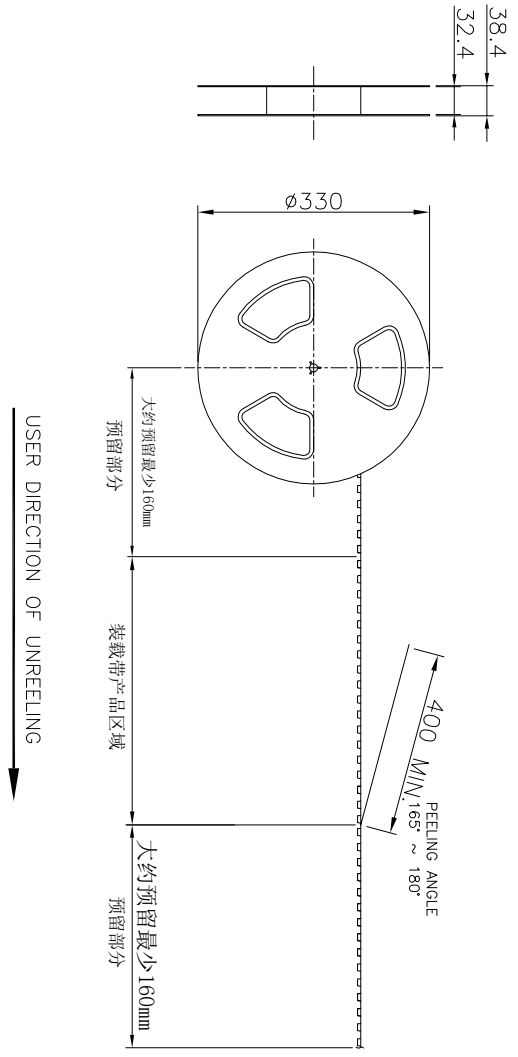
ORIGINAL DATA: 2021.01.20
TITLE: USB3.0 AF STD CL180mm L14.00mm DIP

DWN.: 李小林
CHK.:
APVD.: OC, Feng

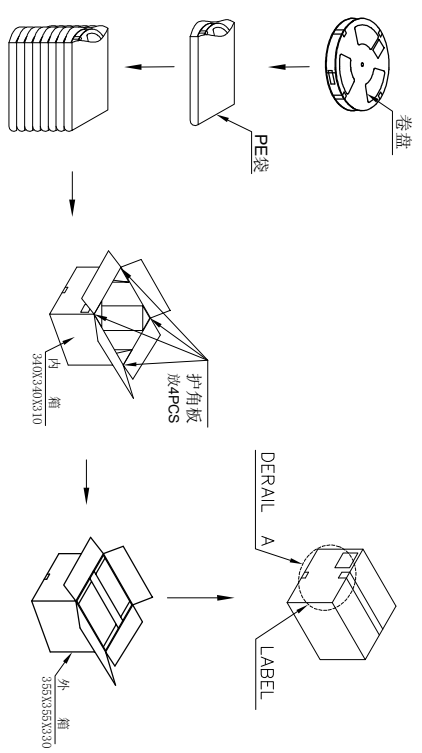
| REV. | DESCRIPTION | ECN NO. | DWN. CHK. | APVD. | DATE | |
|------|-------------|---------|-----------|-------|------|------------|
| A | | | Lxtol | CC | DC | 2021.01.20 |

| 3RD ANGLE'S | PART NO. | SCALE |
|-------------|------------------------|-------|
| | 1181-32YFB-23A | 2:1 |
| | DWG NO. 1181-32YFB-23A | A4 |
| | | 1/2 |
| | | A |

THESE DRAWINGS AND SPECIFICATIONS ARE THE PROPERTY OF POWERCENTER TECHNOLOGY LIMITED, AND SHALL NOT BE REPRODUCED, COPIED OR USED IN ANY MANNER WITHOUT THE PRIOR WRITTEN CONSENT OF POWERCENTER TECHNOLOGY LIMITED



1. 检验重点: 首件及制程检验时, 一定要取1-2M载带将产品放入载带内
 载带垂直90°时产品要自由掉落下来。
 2. 自粘性上代与载带的剥离力为0.2~1.2N



| | | | | | | | |
|------|---|-------------|---------|--------|------|-------|------------|
| REV. | A | DESCRIPTION | ECN NO. | DWN. | CHK. | APVD. | DATE |
| | | | | Lxtool | CC | DC | 2021.01.20 |

| PCS/ REEL | REELS/ CARTON | QUANTITY | GROSS WEIGHT | NET WEIGHT |
|-----------|---------------|----------|--------------|------------|
| 400 | 8 | 3200 PCS | -- KG | -- KG |

| | | | |
|---------------------------------------|-----------|---------------|-------------------------------------|
| TOLERANCES UNLESS OTHERWISE SPECIFIED | UNIT (MM) | ORIGINAL DATA | TITLE |
| X | ±0.50 | 2021.01.20 | USB3.0 AF STD CL1.80mm L14.00mm DIP |
| X X | ±0.30 | DWN. 李小林 | |
| X X X | ±0.20 | CHK. | |
| X X X X | ±0.10 | APVD. Qc.Feng | |
| ANGEL | ±2° | | |
| 3RD ANGLE'S | | | |