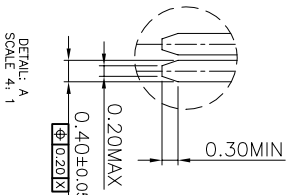
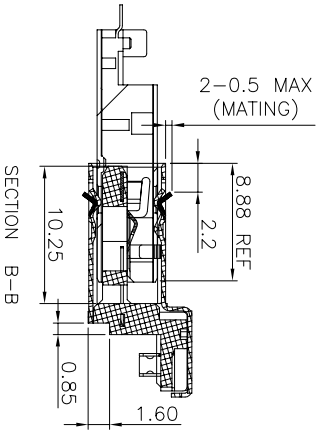
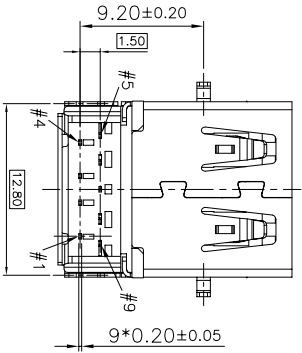
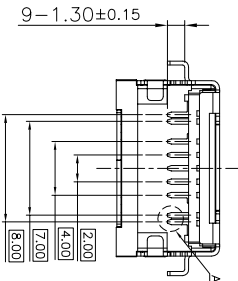
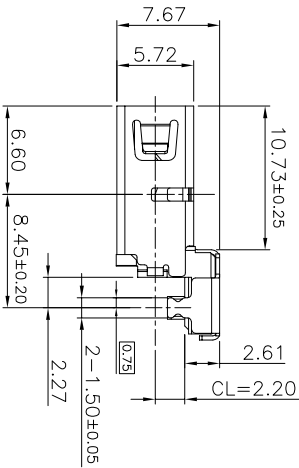
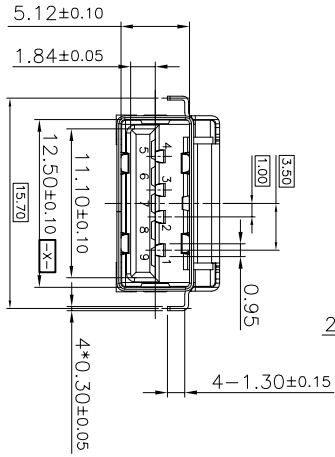


TOLEANCE: ±0.03, THICKNESS: 1.2mm  
RECOMMENDED PCB LAYOUT  
KEEP OUT AREA



THESE DRAWINGS AND SPECIFICATIONS ARE THE PROPERTY OF POWERCENTER TECHNOLOGY LIMITED, AND SHALL NOT BE REPRODUCED, COPIED OR USED IN ANY MANNER WITHOUT THE PRIOR WRITTEN CONSENT OF POWERCENTER TECHNOLOGY LIMITED

Pin #	SIGNAL NAME	DESCRIPTION	MATING SEQUENCE
1	VBUS	POWER	SECOND
2	D-	USB 2.0 DIFFERENTIAL PAIR	THIRD
3	D+	DIFFERENTIAL PAIR	
4	GND	GROUND FOR POWER RETURN	SECOND
5	SIDA_SSRX-	SUPERSPEED RECEIVER DIFFERENTIAL PAIR	LAST
6	SIDA_SSRX+	DIFFERENTIAL PAIR	
7	GND_DRAIN	GROUND FOR SIGNAL RETURN	
8	SIDA_SSTX-	SUPERSPEED TRANSMITTER DIFFERENTIAL PAIR	
9	SIDA_SSTX+	DIFFERENTIAL PAIR	
Shell	Shield	CONNECTOR METAL SHELL	FIRST

NOTE:  
1. MATERIAL:  
1.1 INSULATOR: HIGH TEMPERATURE PLASTIC UL 94 V-0  
1.2 CONTACT: COPPER ALLOY (T=0.20mm)  
1.3 SHELL: SUS201 (T=0.30mm)

2. ELECTRICAL CHARACTERISTICS:  
2.1 CONTACT RESISTANCE: 30mΩ Max  
2.2 CONTACT CURRENT RATING: 1.5A  
2.3 DIELECTRIC WITHSTANDING VOLTAGE: 500 V R.M.S.  
2.4 INSULATION RESISTANCE 100 MEGOHMS Min  
2.5 OPERATING TEMPERATURE: -40° C ~ 85° C

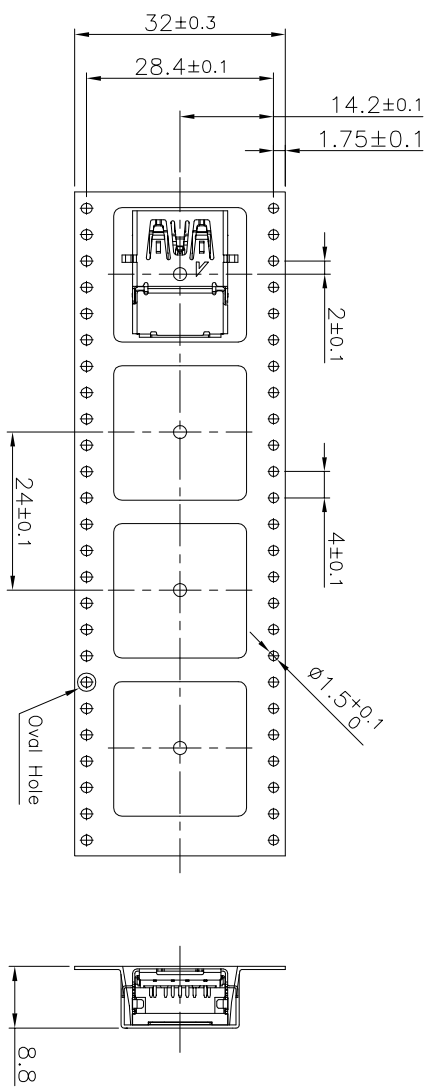
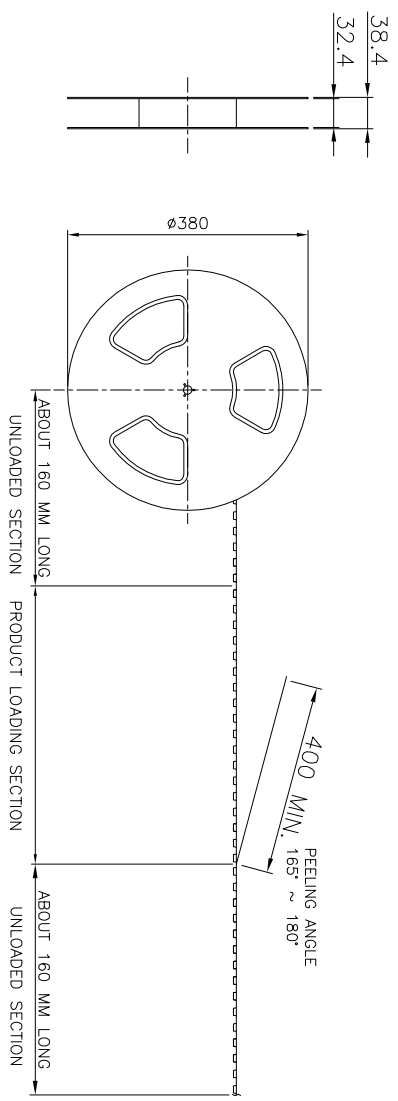
3. MECHANICAL CHARACTERISTICS:  
3.1 MATING FORCE: 25 N Max  
3.2 UNMATED FORCE: 10 N ~ 25 N ; 8 N ~ 25 N  
3.3 DURABILITY: 5,000 CYCLES  
4. PLATING:  
4.1 TERMINAL CONTACT: GOLD PLATING ALL OVER  
50u" MIN NICKEL AND 50u" MIN Tin ALL OVER  
50u" MIN NICKEL ON SOLDER AREA  
4.2 SHELL: 50u" MIN. NICKEL ALL OVER

5. PART NUMBER: 1181-32XFC-23A  
1: G/F 2: 5u" 3: 10u" 4: 15u" 5: 30u"  
1: 1: Tray 2: Tape Reel

TOLERANCES UNLESS OTHERWISE SPECIFIED		Powercenter 力源科技(香港)有限公司 力源科技 力源电子 Powercenter Technology Limited	
UNIT	(MM)	ORIGINAL DATA	TITLE
X	±0.50	2021.03.24	USB3.0 AF RVS CL-2.20mm
X X	±0.30		L17.45mm DIP
X X X	±0.20		
X X X X	±0.10		
ANGEL	±1°		

CHK.	3RD ANGLE'S	PART NO.	SCALE
APVD.	CC.Feng	1181-32XFC-23A	2:1
		DWG NO. 1181-321FC-23A	A4
			REV. 1/2
			A

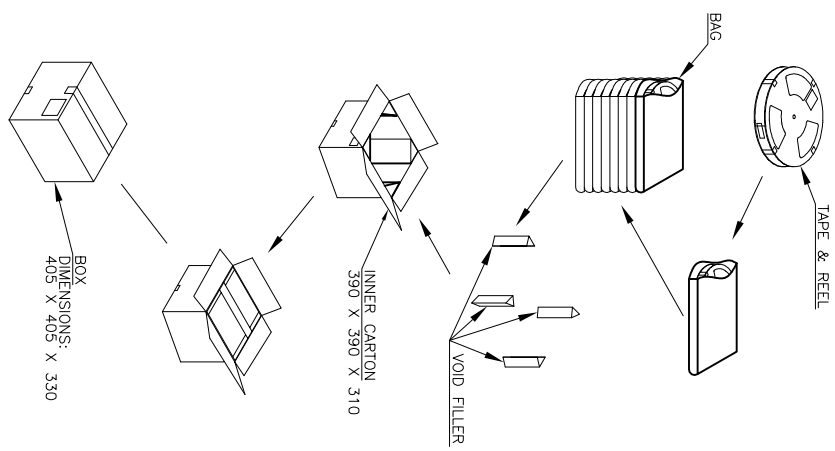
REV.	DESCRIPTION	ECN NO.	DWN.	CHK.	APVD.	DATE
A			Lxtool	CC	DC	2021.03.24
B						
C						



- NOTE:
- MATERIAL:  
BOX: FIBREBOARD, CORRUGATED, DOUBLE WALL  
TAPE: POLYSTYRENES, HEAT-RESISTANT TEMPERATURE: 120°C, BLACK  
COLOR:  
REEL: POLYSTYRENES, HEAT-RESISTANT TEMPERATURE: 70°C, BLUE COLOR  
BAG: POLYETHYLENE, HEAT-RESISTANT TEMPERATURE: 100°C
  - PEELING STRENGTH: 0.1 ~ 1.3 N (10 ~ 130 GRAMS)
  - PEELING SPEED: 300 mm/min.
  - EACH BAG SHALL BE INCLUDED DESICCANT.



C					
B					
A					
REV.	DESCRIPTION	ECN NO.	DWN. CHK.	APVD.	DATE



350	8	2800	PCS	--	KG	--	KG
PCS/ REEL	REELS/ CARTON	QUANTITY	GROSS WEIGHT	NET WEIGHT			

TOLERANCES UNLESS OTHERWISE SPECIFIED  
 DIMIT (MM)  
 X ±0.35  
 X X ±0.25  
 X.XX ±0.15  
 X.XXX ±0.10  
 ANGEL ±2°  
 3RD ANGLE'S

**Powercenter** 力源科技 (香港) 有限公司  
**Powercenter Technology Limited**  
 ORIGINAL DATA 2021.03.24  
 DWN. Lxiaol  
 TITLE USB3 AF RVS S-2.20mm  
 L17.45mmDIP

CHK.	CC.Feng	PART NO.	1181-32XFC-23A	SCALE	1:1	SIZE	A4
APVD.	CC.Feng	DWG NO.	1181-321FC-23A	SHEET	2/2	REV.	A