

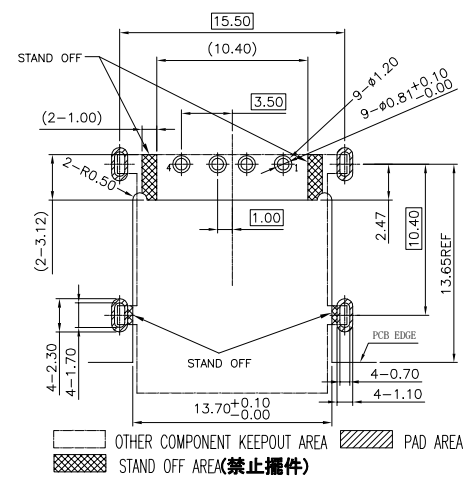
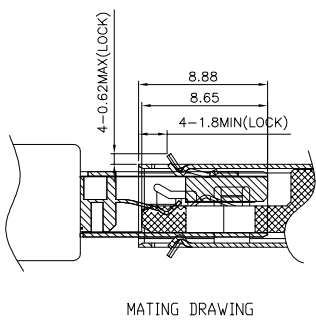
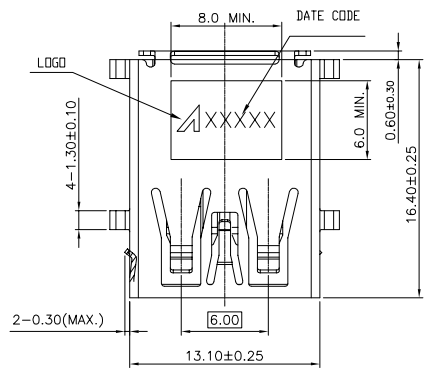
文件
分发
生管
业务
品保
QA
IQC
生技
注
加工
冲压
资料
工程
仓库
IPQC

Pb
Process Capable

RoHS Compliant
2013/95/EC

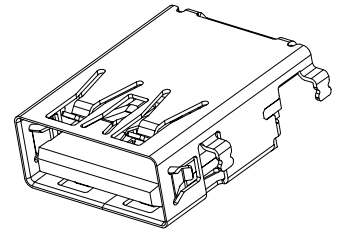
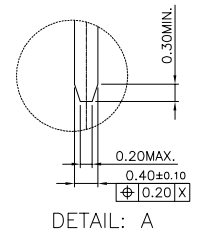
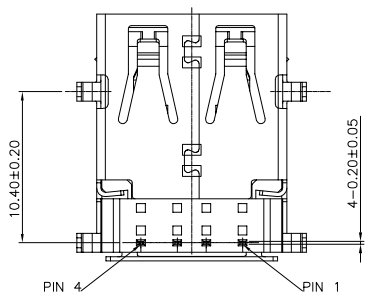
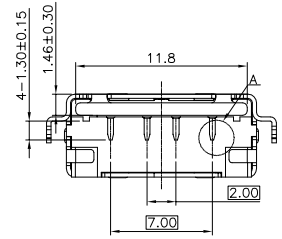
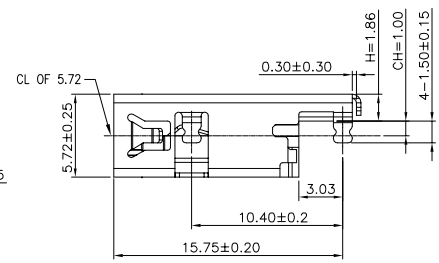
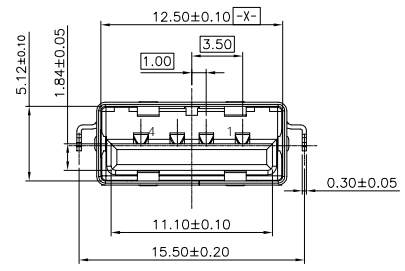
HSF

Pin #	SIGNAL NAME
1	VBUS
2	D-
3	D+
4	GND
Shell	Shield



RECOMMENDED PCB LAYOUT (COMPONENT SIDE)
(TOLERANCE:±0.05)

- NOTE:
- MATERIAL:
 - INSULATOR:LCP UL94V-0 BLACK COLOR.
 - CONTACT:C5210-EH(T=0.20mm)
 - SHELL:SUS201(T=0.30mm)
 - ELECTRICAL CHARACTERISTICS;
 - CONTACT RESISTANCE:30mΩ Max
 - CONTACT CURRENT RATING:1.5A
 - DIELECTRIC WITHSTANDING VOLTAGE:500 V R.M.S.
 - INSULATION RESISTANCE 100 MEGOHMS Min
 - OPERATING TEMPERATURE:-40°C ~ 85°C
 - MECHANICAL CHARACTERISTICS:
 - MATING FORCE:35 N Max
 - UNMATED FORCE:10 N Min INITIAL; 8 N Min AFTER TEST
 - DURABILITY:1500 CYCLES
 - PLATING
 - TERMINAL CONTACT:50u" MIN. NICKEL UNDERPLATED CONTACT AREA: SEE P/N SOLDER AREA: 80u" MIN. MATTE TIN PLATED
 - SHELL:50u"MIN.NICEL ALL OVER
 - PART NUMBER: 1181-32XFJ--X2A



3D VIEW



- 1: G/F
2: 5u"
3: 10u"
4: 15u"
5: 30u"
- 1: Tray
2: Tape reel

TOLERANCES UNLESS OTHERWISE SPECIFIED

UNIT	(MM)
X.	±0.50
X.X	±0.25
X.XX	±0.15
X.XXX	±0.10
ANGEL	±2'

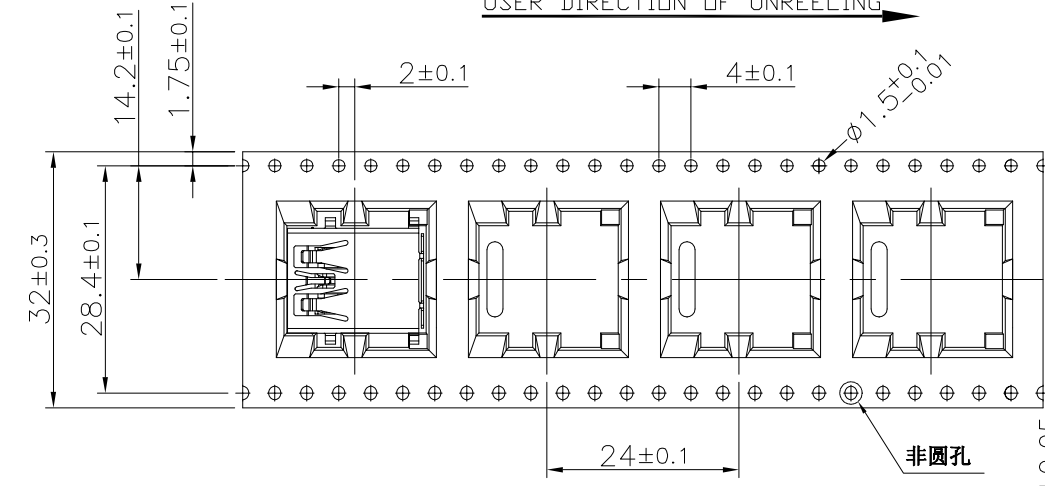
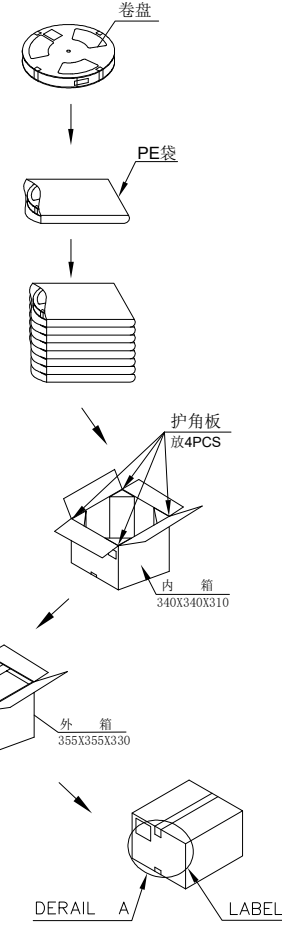
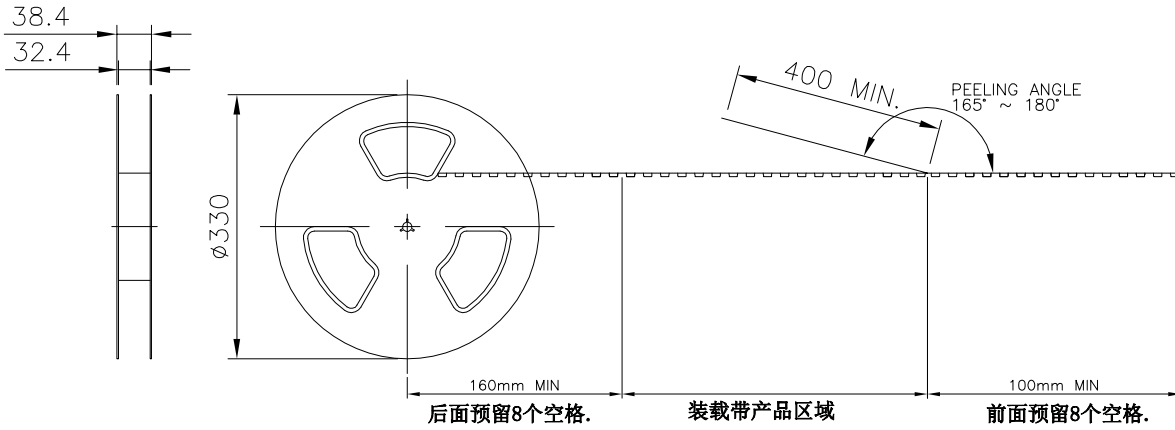
3RD. ANGLE'S

PowerCenter 力源科技(香港)有限公司 力源科技力郡电子 力郡电子科技有限公司 POWERCENTER TECHNOLOGY LIMITED	
ORIGINAL DATA 2022.08.10	TITLE USB2.0 RVS SINK A TYPE RECEPTACLE T/H R/A CH=-1.00mm
DWN. gh-Li	
CHK.	PART NO. 1181-32XFJ-22A
APVD. FCC	DWG NO. 1181-321FJ-22A
	SCALE 1:1
	SIZE A4
	SHEET 1/2
	REV. A

REV.	DESCRIPTION	ECN NO.	DWN.	CHK.	APVD.	DATE
A	NEW DRAWING		gh-Li	FCC	FCC	2022.08.10

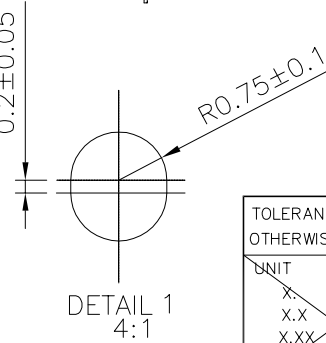
文件分发
生管业务
品保
QA
IQC
生技
注量
加工
冲压
资材
工程
仓库
IPQC

Pb RoHS Compliant 2013/05/EC HSF



NOTE:

- MATERIAL:
BOX: FIBREBOARD, CORRUGATED, DOUBLE WALL
TAPE: POLYSTYRENES, HEAT-RESISTANT TEMPERATURE: 120°C, BLACK COLOR.
REEL: POLYSTYRENES, HEAT-RESISTANT TEMPERATURE: 70°C, BLUE COLOR.
BAG: POLYETHYLENE, HEAT-RESISTANT TEMPERATURE: 100°C.
- PEELING STRENGTH: 0.1 ~ 1.3 N (10 ~ 130 GRAMS)
- PEELING SPEED: 300 mm/min.
- EACH BAG SHALL BE INCLUDED DESICCANT.



400	8	3200 PCS	-- KG	-- KG
PCS/ REEL	REELS/ CARTON	QUANTITY	GROSS WEIGHT	NET WEIGHT

TOLERANCES UNLESS OTHERWISE SPECIFIED		PowerCenter 力源科技(香港)有限公司 力源科技力源电子 力源电子科技有限公司 POWERCENTER TECHNOLOGY LIMITED		
UNIT (MM)		ORIGINAL DATA	TITLE	
X.	±0.30	2022.5.23	USB2.0 RVS SINK A TYPE	
X.X	±0.20	DWN.	RECEPTACLE T/H R/A CH=-1.00mm	
X.XX	±0.10	CHK.	YWL	
X.XXX	±0.05	YWL	PART NO.	SCALE
ANGEL	±2'	APVD.	1181-32XFJ-22A	1:1
3RD. ANGLE'S		FCC	DWG NO.	SIZE
			1181-321FJ-22A	A3
			SHEET	REV.
			2/2	A

A	NEW DARWING	YWL	YWL	FCC	2022.05.23	
REV.	DESCRIPTION	ECN NO.	DWN.	CHK.	APVD.	DATE