



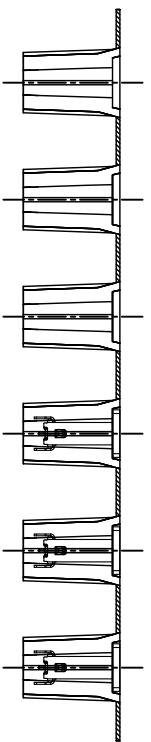
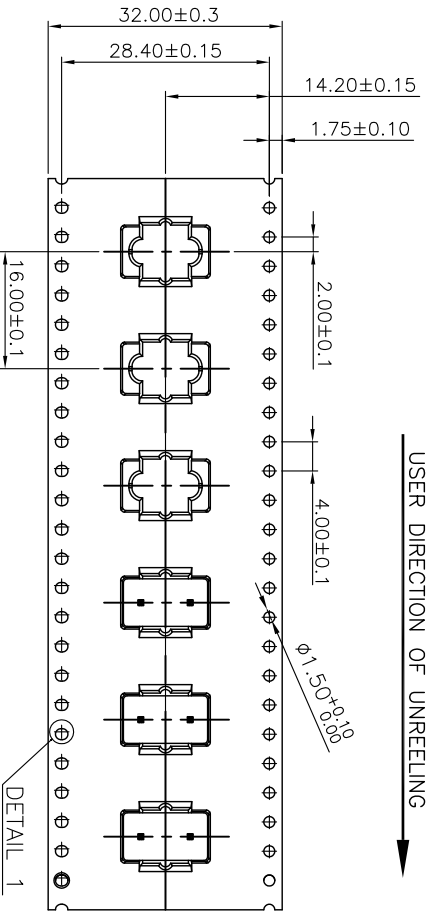
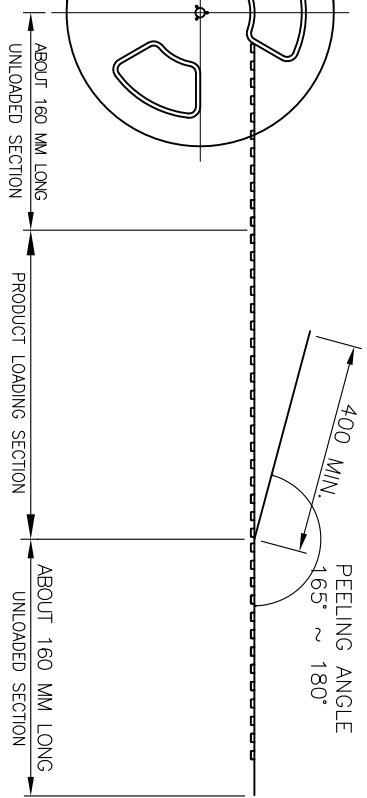
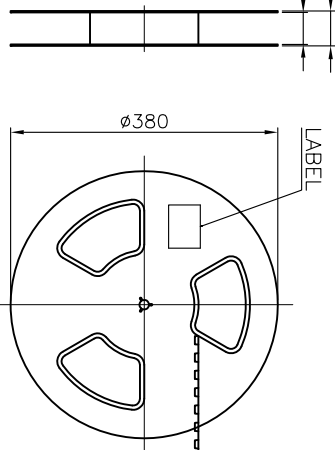
THESE DRAWINGS AND SPECIFICATIONS ARE THE PROPERTY OF POWERCENTER TECHNOLOGY LIMITED, AND SHALL NOT BE REPRODUCED, COPIED OR USED IN ANY MANNER WITHOUT THE PRIOR WRITTEN CONSENT OF POWERCENTER TECHNOLOGY LIMITED

重点尺寸 CPK 装配 修改  
尺寸 管控 尺寸 版本 XX

文件分发 业务 品管  
GA TOC 连接 挂接

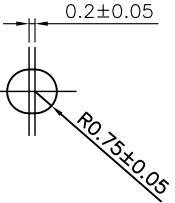
RoHS Compliant HSF  
2013/95/EC

38.4  
32.4

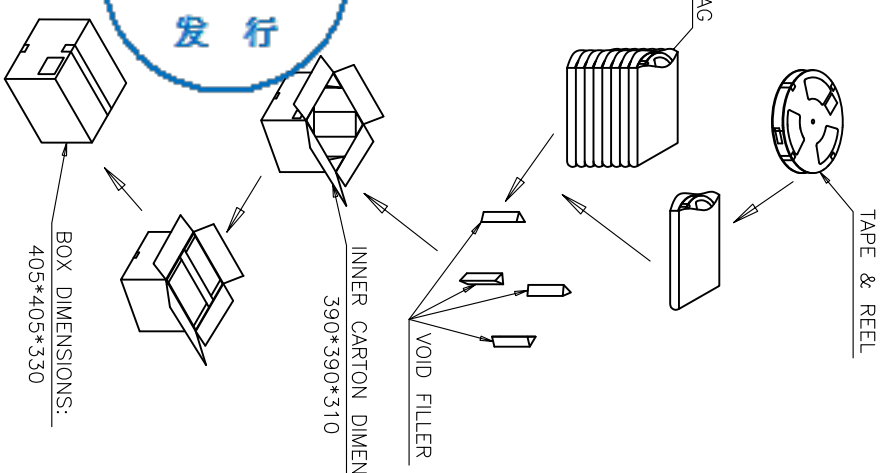


NOTE:  
1. MATERIAL:  
BOX: FIBREBOARD, CORRUGATED, DOUBLE WALL.  
TAPE: POLYSTYRENES, HEAT-RESISTANT TEMPERATURE: 120°C, BLACK COLOR.  
REEL: POLYSTYRENES, HEAT-RESISTANT TEMPERATURE: 70°C, BLUE COLOR.  
BAG: POLYETHYLENE, HEAT-RESISTANT TEMPERATURE: 100°C.

2. PEELING STRENGTH: 0.1 ~ 1.3 N (10 ~ 130 GRAMS)  
3. PEELING SPEED: 300 mm/min.  
4. EACH BAG SHALL BE INCLUDED DESICCANT.



文管中心  
2020.12.12  
发行



No.	Part No.	Part Name	Q'ty	Material	Finish

PCS/ REEL	B	3200 PCS	KG	GROSS WEIGHT	NET WEIGHT
400	B	3200 PCS	--	KG	KG

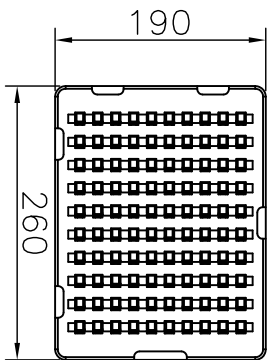
**Powercenter** 力源科技 (香港) 有限公司  
力源科技力源电子 POWERCENTER TECHNOLOGY LIMITED

ORIGINAL DATA  
2016.09.08  
TITLE  
USB 3.1 TYPE C FEMALE  
VERTICAL H9.40mm SMT TYPE

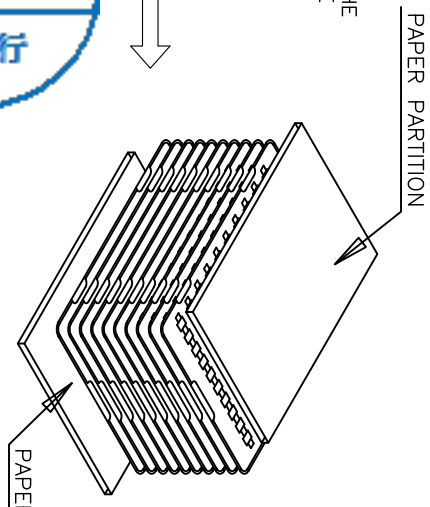
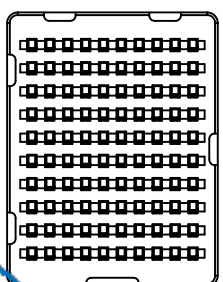
CHK.	APVD.	FCC	PART NO.	SCALE	SIZE
Lxiool	FCC	1186-62X09-23A	1186-62X09-23A	1:1	A3
		1186-62109-23A			

REV.	DESCRIPTION	ECN NO.	DWN.	CHK.	APVD.	DATE
A	NEW DRAWING	ECN NO.	Harry	Chai	DC	2016.09.09
B	在客户变更时更改 PGB LAYOUT IS	20200609062	Harry	Nelson	DC	2020.06.09
C	AMEND CAP SIZE	20201203182	gh-l	GAORUI	DC	2020.12.03

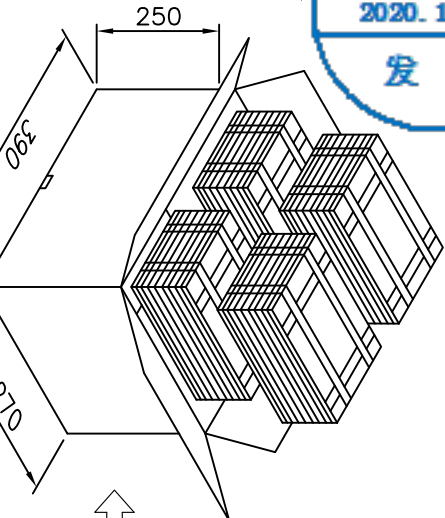
10\*10=100PCS/TRAY



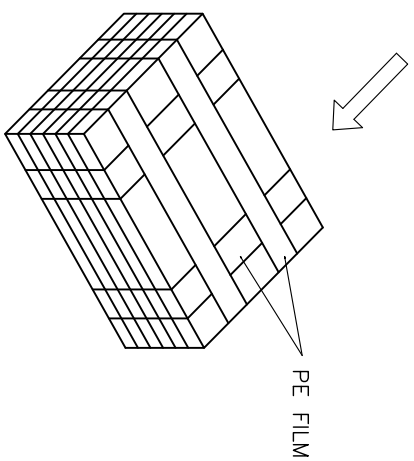
THE SECOND LAYER IS PLACED ON THE BASIS OF THE FIRST LAYER STACK, THE THIRD, FOUR LAYERS.....AND SO ON



20 TRAY/SHEAF EACH SHEAF PACKING PRODUCTS 2000 PCS, PACKED PRODUCTS, THE PRODUCT OF AN EMPTY TRAY ON THE TOP COVER, EACH SHEAF BOTTOM AND TOP PUT A PAPER PLATE

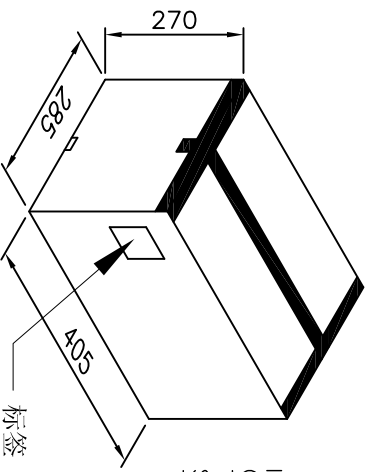


TAKE 390\*270\*250mm CARTON AND FOLDED, WILL BE PACKAGED PRODUCTS IN 390\*270\*250mm INSIDE THE CARTONS, EACH CARTONS PACKED TWO SHEAF, A TOTAL OF PRODUCTS 8000PCS.



AFTER THE TRAY WAS FOLDED WITH PE FILM ON THE TWISTS

PLACED AFTER THE GOOD PRODUCT WITH SEALING TAPE WILL BE PACKING CARTON; THE ENCAPSULATED INSIDE THE BOX IN L405\*W285\*H270MM OUTSIDE THE CARTON.



INNER CARTON INTO THE OUTER CARTON, USE SEALING TAPE WILL TAKE PLACE OUTSIDE THE CARTON SEALING, THE LABELS PASTE ON THE OUTSIDE OF THE CARTON

C	AMEND CAP SIZE	20201203182	gh-li	GAORUI	DC	2020.12.03
B	PCB LAYOUT IS	20200609062	Lxiaol	Naiison	DC	2020.06.09
A	NEW DAWNING		Harry	Chain	DC	2016.09.09
REV.	DESCRIPTION	ECN NO.	DWN.	CHK.	APVD.	DATE

TOLERANCES UNLESS OTHERWISE SPECIFIED	UNIT (MM)
X.XX	±0.20
X.XXX	±0.15
X.XXX	±0.10
X.XXX	±0.05
ANGEL	±1°
3RD ANGLE'S	

ORIGINAL DATA	TITLE
2016.09.08	USB 3.1 C TYPE FEMALE VERTICAL
DWN: Harry	H9.40mm SMT TYPE (包装规范)
CHK: Lxiaol	PART NO. 1186-62X09-13A
APVD: FCC	DWG NO. 1186-62109-13A
	SCALE 1:1
	SHEET 3/3
	SIZE A3
	REV. C