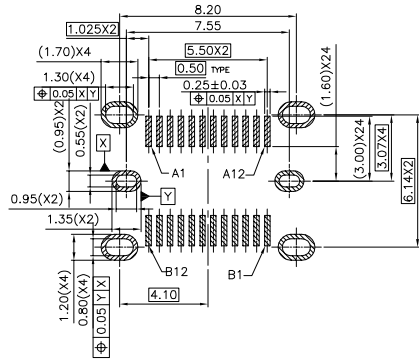
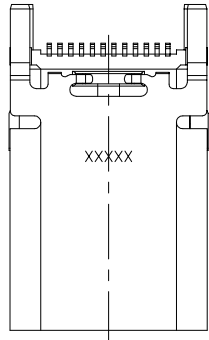


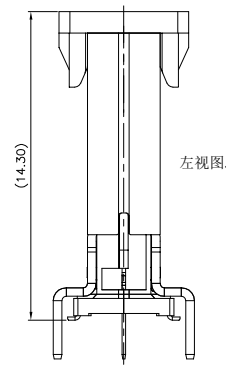
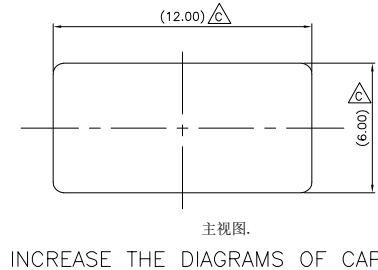
文件分发
生管
业务
品保
QA
IQC
生技
注塑
加工
冲压
资料
工程
仓库
IPQC



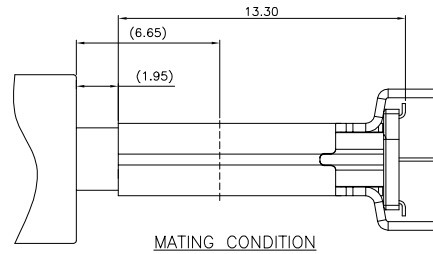
RoHS Compliant HSF
2013/95/EC



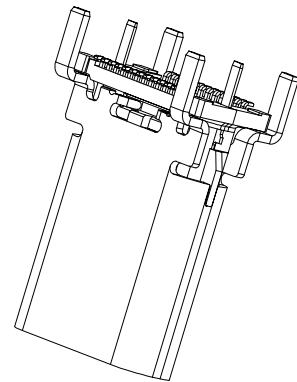
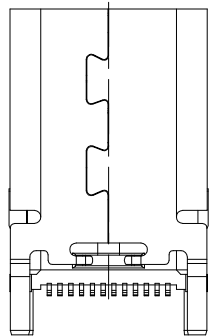
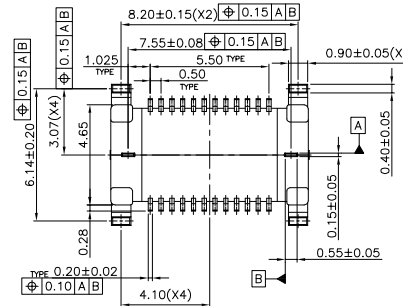
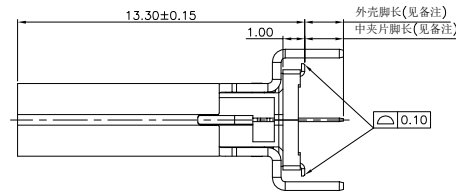
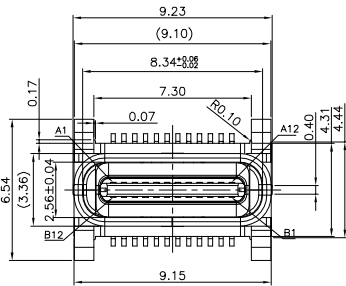
RECOMMEND P.C.B LAYOUT (COMPONENT SIDE)
TOLERANCE FOR PCB LAYOUT IS ± 0.05
PAD AREA



Pin	Signal Name	Mating Sequence	Pin	Signal Name	Mating Sequence
A1	GND	First	B12	GND	First
A2	SSTXp1	Second	B11	SSRXp1	Second
A3	SSTXn1	Second	B10	SSRXn1	Second
A4	V _{Bus}	First	B9	V _{Bus}	First
A5	CC1	Second	B8	SBU2	Second
A6	Dp1	Second	B7	Dn2	Second
A7	Dn1	Second	B6	Dp2	Second
A8	SBU1	Second	B5	CC2	Second
A9	V _{Bus}	First	B4	V _{Bus}	First
A10	SSRXn2	Second	B3	SSTXn2	Second
A11	SSRXp2	Second	B2	SSTXp2	Second
A12	GND	First	B1	GND	First
SHELL	GND		SHELL	GND	



NOTE:
1. MATERIAL:
1.1 INSULATOR: HIGH TEMPERATURE PLASTIC UL 94 V-0; Black Color
1.2 CONTACT: HIGH CONDUCTIVITY COPPER (C18400, T=0.15mm)
1.3 SHELL: STAINLESS STEEL (T=0.40mm)
2. ELECTRICAL CHARACTERISTICS:
2.1 CONTACT RESISTANCE: 40mΩ Max FOR INITIAL, 10mΩ CHANGE AFTER TEST. MEASURE AT 20mV, 100mA.
2.2 CONTACT CURRENT RATING: 5A FOR COLLECTIVELY POWER SUPPLY PIN (PINA1, A4, A9, A12, B1, B4, B9, B12); 1.25A FOR V_{CONN} PIN; 0.25A FOR OTHER SIGNAL PIN.
2.3 DIELECTRIC WITHSTANDING VOLTAGE: 100V AC R.M.S.
2.4 INSULATION RESISTANCE 100MΩ Min
2.5 OPERATING TEMPERATURE: -40°C ~ 85°C
3. MECHANICAL CHARACTERISTICS:
3.1 MATING FORCE: 5~20 N.
3.2 UNMATED FORCE: 6~20N AFTER TEST
3.3 DURABILITY: 10,000 CYCLES
4. PLATING
4.1 TERMINAL CONTACT: (SEE TAB) GOLD PLATING ON CONTACT AREA, ALL OVER 50u" Min NICKEL AND 80u" Min Matte Tin ALL OVER 50u" Min NICKEL ON SOLDER AREA
4.2 SHELL: 50u" Min. NICKEL ALL OVER,
5. PART NUMBER:
1186-62XXX-X3B
1: Tray 2: Tape reel
1: G/F 2: 5u" 3: 10u" 4: 15u" 5: 30u"



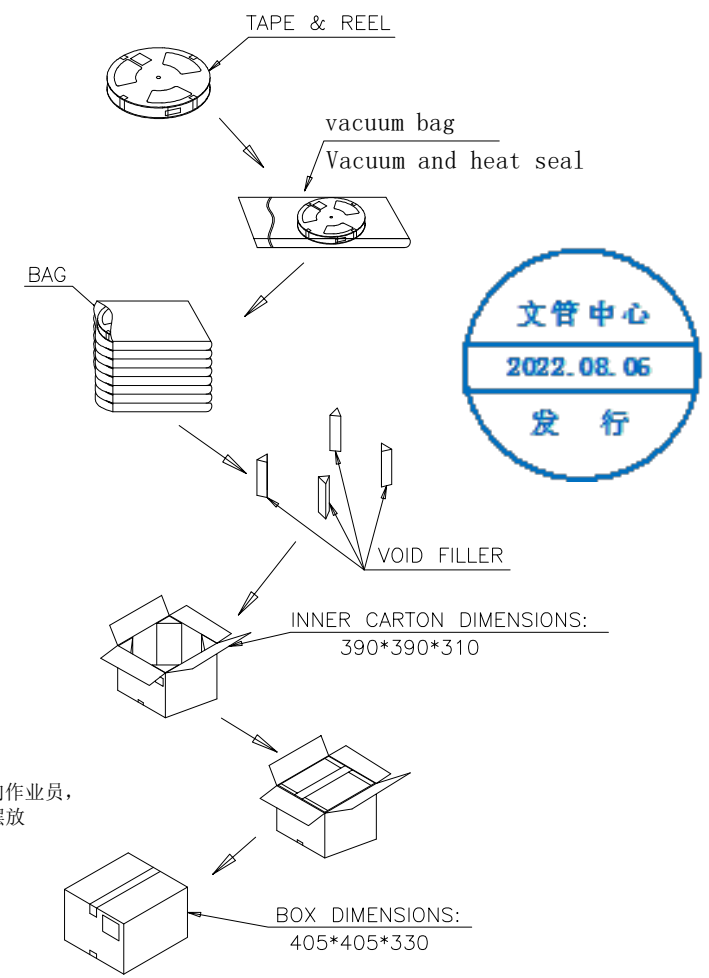
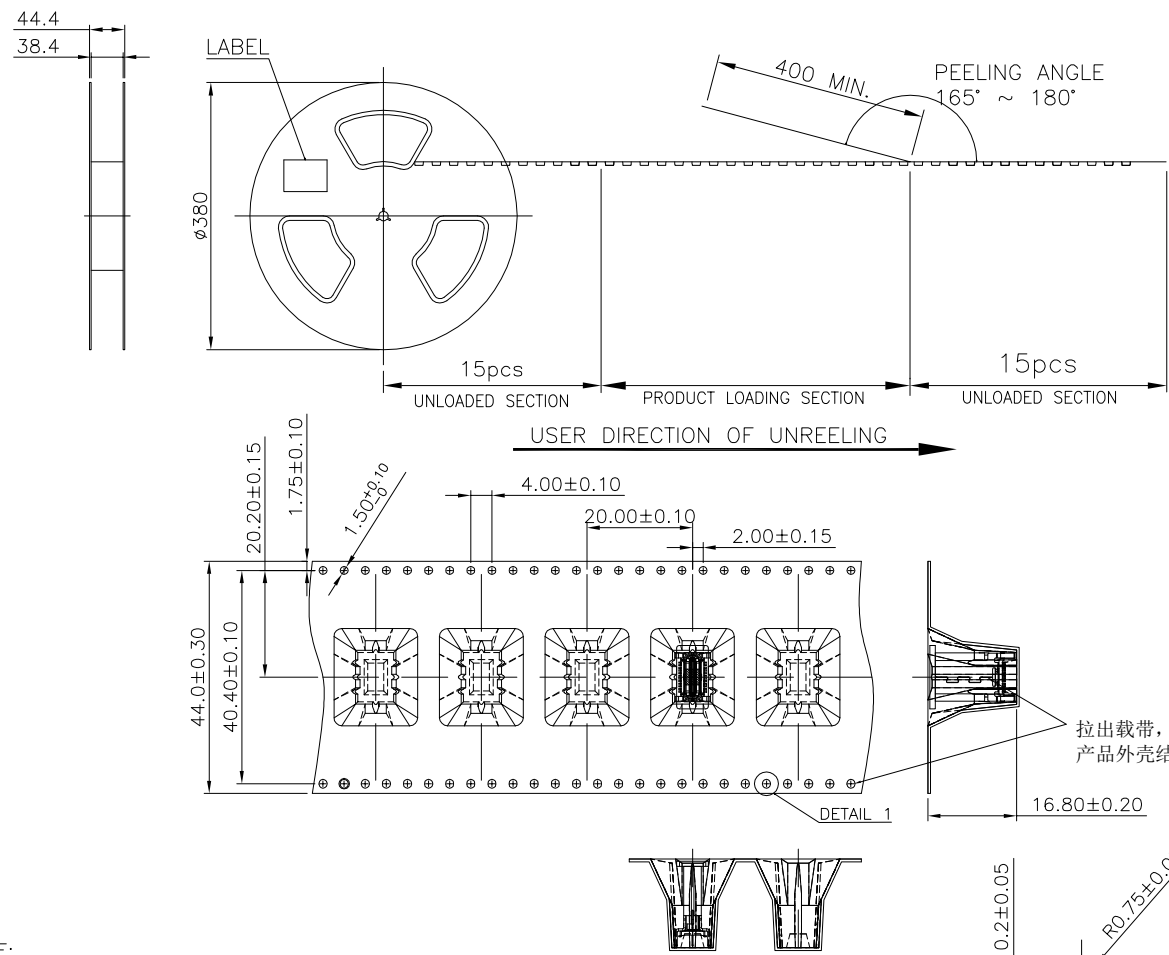
1.80±0.15	1.80±0.15	1186-62X11-23B
中夹片脚长	外壳脚长	料号

TOLERANCES UNLESS OTHERWISE SPECIFIED		PowerCenter 力源科技 (香港) 有限公司 力源科技力郡电子 力郡电子科技有限公司 POWERCENTER TECHNOLOGY LIMITED	
UNIT (MM)	ORIGINAL DATA	TITLE	
X. ±0.50	2022.07.08	USB 3.1 TYPE C FEMALE VERTICAL H13.30mm SMT TYPE	
X.X ±0.30	DWN.	hj-Jian	
X.XX ±0.20	CHK.	PART NO.	SCALE
X.XXX ±0.10		1186-62XXX-23B	1:1
ANGEL ±2'		SIZE	A3
3RD.ANGLE'S	APVD.	DWG NO.	SHEET
	FCC	1186-62111-23B	1/2
		REV.	A

A	正式发行	hj-Jian	FCC	FCC	2022.07.08
REV.	DESCRIPTION	ECN NO.	DWN.	CHK.	APVD.

文件
分发
生管
业务
品保
QA
IQC
生技
注塑

Pb **RoHS** **Compliant** **HSF**
Process Capable 2013/95/EC



- NOTE:
- MATERIAL:
BOX: FIBREBOARD, CORRUGATED, DOUBLE WALL.
TAPE: POLYSTYRENES, HEAT-RESISTANT TEMPERATURE: 120°C, BLACK COLOR.
REEL: POLYSTYRENES, HEAT-RESISTANT TEMPERATURE: 70°C, BLUE COLOR.
BAG: POLYETHYLENE, HEAT-RESISTANT TEMPERATURE: 100°C.
 - PEELING STRENGTH: 0.1 ~ 1.3 N (10 ~ 130 GRAMS)
 - PEELING SPEED: 300 mm/min.
 - EACH BAG SHALL BE INCLUDED DESICCANT.

250	6	1500 PCS	-- KG	-- KG
PCS/ REEL	REELS/ CARTON	QUANTITY	GROSS WEIGHT	NET WEIGHT

TOLERANCES UNLESS OTHERWISE SPECIFIED		PowerCenter 力源科技(香港)有限公司 力源科技力郡电子 力郡电子科技有限公司 POWERCENTER TECHNOLOGY LIMITED		
UNIT (MM)		ORIGINAL DATA	TITLE	
X. ±0.20		2022.07.08	USB 3.1 TYPE C FEMALE VERTICAL H13.30mm SMT TYPE	
X.X ±0.15		DWN.	hj-Jian	
X.XX ±0.10		CHK.	PART NO.	SCALE
X.XXX ±0.05			1186-62XXX-X3B	1:1
ANGEL ±1'			DWG NO.	SIZE
			1186-62111-23B	A4
3RD.ANGLE'S		APVD.		SHEET
		FCC		2/2
				REV.
				A

A	正式发行		hj-Jian	FCC	FCC	2022.07.08
REV.	DESCRIPTION	ECN NO.	DWN.	CHK.	APVD.	DATE