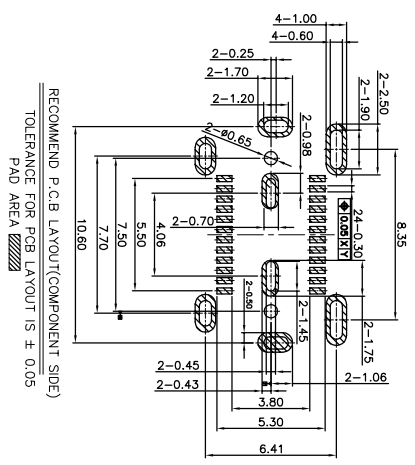
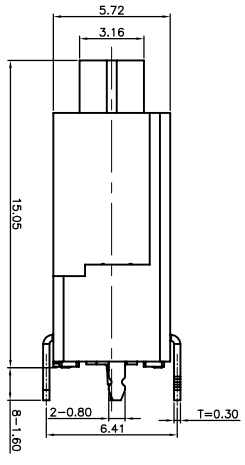
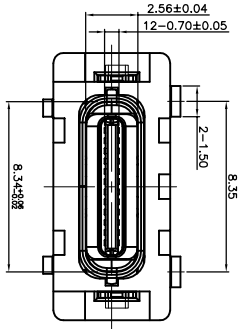
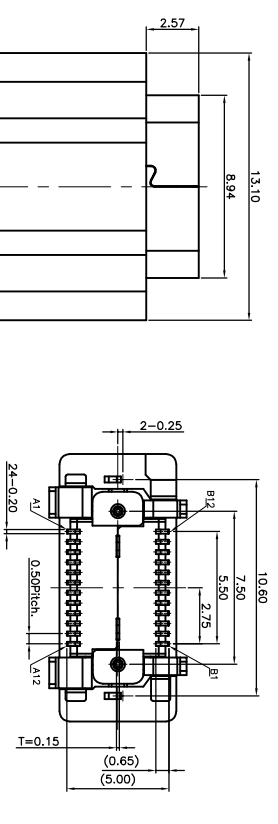


Pb
RoHS Compliant HSF
2013195/EC

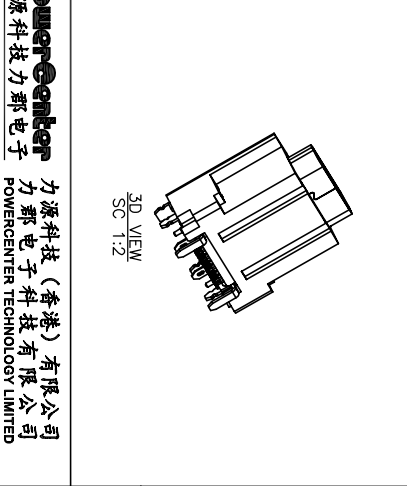
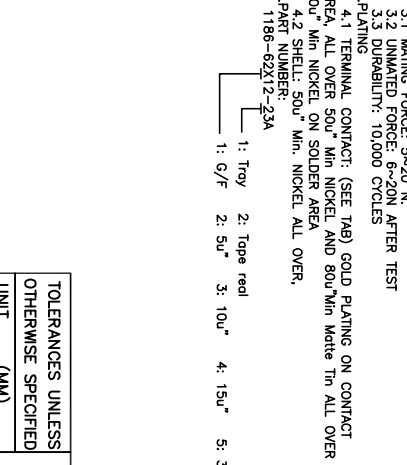
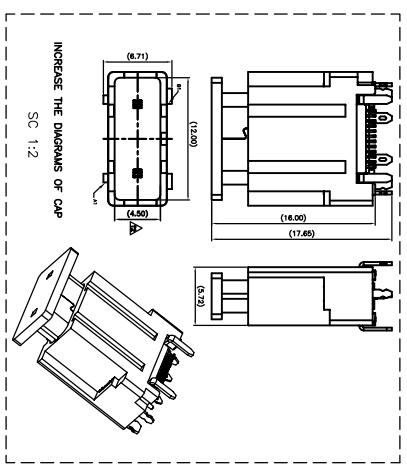
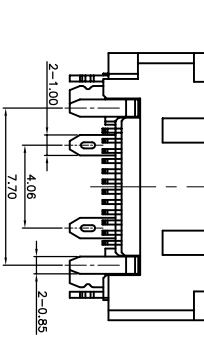
文件	IPC62
生管	
业务	
品保	
制程	
工程	
物料	
冲压	
加工	
注塑	
电镀	
表面处理	
涂装	
其他	



Pin	Signal Name	Mating Sequence	Pin	Signal Name	Mating Sequence
A1	GND	First	B12	GND	First
A2	SSTxp1	Second	B11	SSRxp1	Second
A3	SSTxm1	Second	B10	SSRxm1	Second
A4	Vms	First	B9	Vms	First
A5	CC1	Second	B8	SMU2	Second
A6	Dp1	Second	B7	Dp2	Second
A7	Dnl	Second	B6	Dp2	Second
A8	SMU1	Second	B5	CC2	Second
A9	Vms	First	B4	Vms	First
A10	SSRxp2	Second	B3	SSTxm2	Second
A11	SSRxp2	Second	B2	SSTxp2	Second
A12	GND	First	B1	GND	First
SHELL			SHELL		
				GND	



NOTE:
1. MATERIAL:
1.1 INSULATOR: HIGH TEMPERATURE PLASTIC UL 94 V-0-Black Color
1.2 CONTACT: HIGH CONDUCTIVITY COPPER(C18400,T=0.15mm)
1.3 SHELL:STAINLESS STEEL(T=0.30mm)
2. ELECTRICAL CHARACTERISTICS:
2.1 CONTACT RESISTANCE: 40mΩ Max FOR INITIAL, 10mΩ CHANGE AFTER TEST, MEASURE AT 20mv, 100mA
2.2 CONTACT CURRENT RATING: 5A FOR COLLECTIVELY POWER SUPPLY PING(PINVA),4A,9A12,B1,B4,B9,B12); 1.25A FOR Vcom PIN;
2.25A FOR OTHER SIGNAL PIN.
2.3 INDUCTIVE WITHSTANDING VOLTAGE: 100V AC R.M.S.
2.4 INDUCTIVE WITHSTANDING VOLTAGE: 100V AC R.M.S.
2.5 OPERATING TEMPERATURE: -40°C ~ 85°C
3. MECHANICAL CHARACTERISTICS:
3.1 MATING FORCE: 5~20 N
3.2 UNMATING FORCE: 6~20N AFTER TEST
3.3 DURABILITY: 10,000 CYCLES
4. PLATING
4.1 TERMINAL CONTACT: (SEE TAB) GOLD PLATING ON CONTACT AREA, ALL OVER 50μ" Min NICKEL AND 80μ"Min Matte Tin ALL OVER
4.2 SHELL: 50μ" Min. NICKEL ALL OVER,
5. PART NUMBER:
1186-62X12-23A



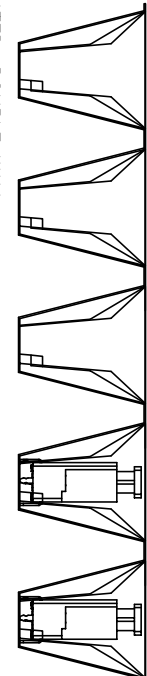
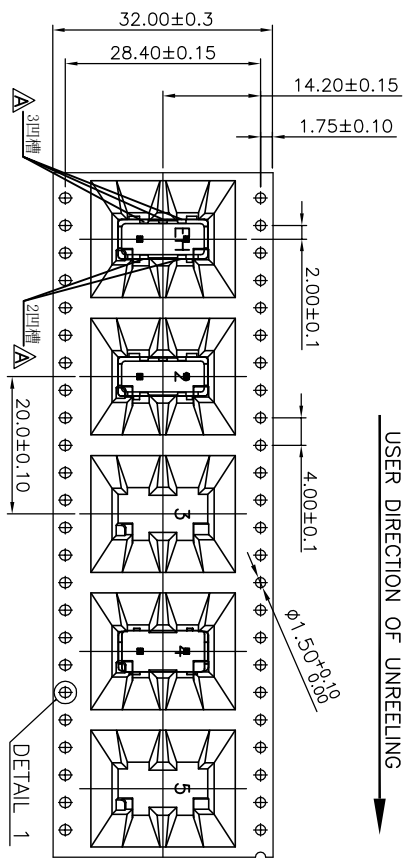
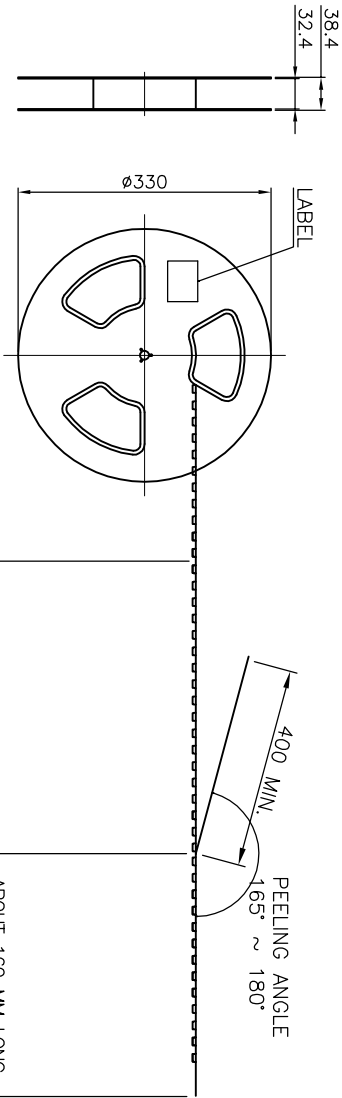
REV.	DESCRIPTION	ECN NO.	DWN.	CHK.	APVD.	DATE
A	NEW DAWMING	ECN NO.	zh-Lin	Nelson		2018.01.15
B	ALTER PART NUMBER	ECN NO.	zh-Lin	Nelson		2018.09.06
C	修改数据规格	20180906001	gh-Li	Nelson		2018.09.06
D	修改外观外形	201902260031	hp-liu	Nelson		2019.02.26
E	修改包装规范	20210201220	gh-Li	DCC		2021.02.01
F	修改外观外形	20210119212	LVAOL	DCC		2021.01.19

TOLERANCES UNLESS OTHERWISE SPECIFIED		ORIGINAL DATA	
UNIT (MM)	X ±0.50	DWN.	2018.01.15
	X X ±0.30	zh-Lin	
	X.XX ±0.20		
	X.XXX ±0.10		
	ANGEL ±2°		
3RD ANGLE'S		CHK.	gh-Li
		APVD.	FCC
		DWG NO.	1186-62X12-23A
			1186-62212-23A
		SCALE	1:1
		SHEET	A3
		REV.	F

PowerCenter 力源科技(香港)有限公司
力源科技(香港)有限公司
POWERCENTER TECHNOLOGY LIMITED

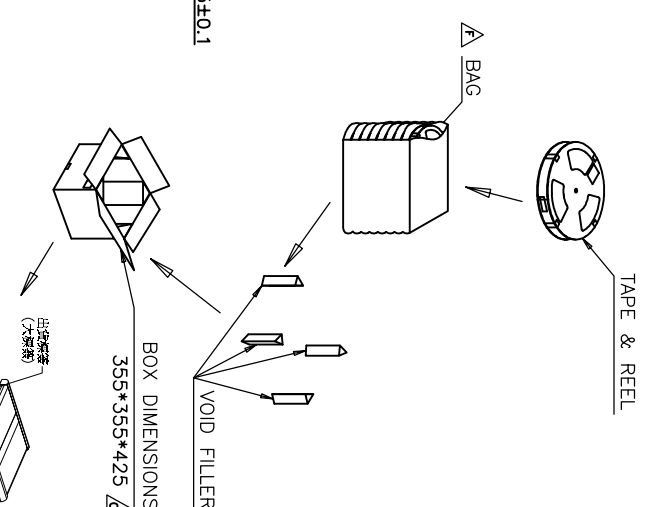
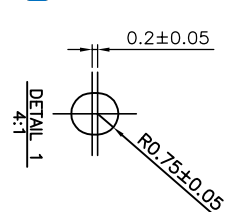
USB 3.1 TYPE C FEMALE
VERTICAL H15.05mm SMT TYPE

文件	CPK
尺寸	管控
管控	尺寸
版次	XX



NOTE:
1. MATERIAL:
BOX: FIBREBOARD, CORRUGATED, DOUBLE WALL.
TAPE: POLYSTYRENES, HEAT-RESISTANT TEMPERATURE: 120°C, BLACK COLOR.
REEL: POLYSTYRENES, HEAT-RESISTANT TEMPERATURE: 70°C, BLUE COLOR.
BAG: POLYETHYLENE, HEAT-RESISTANT TEMPERATURE: 100°C.
2. PEELING STRENGTH: 0.1 ~ 1.3 N (10 ~ 130 GRAMS)
3. PEELING SPEED: 300 mm/min.
4. EACH BAG SHALL BE INCLUDED DESICCANT.

△	F	修改包装规范	20210201220	gh-li	LXIAOL	DCC	2021.01.01
△	D	修改方向180度	201902260031	lhp-liu	lhp-liu	Nolson	2019.02.26
△	C	修改胶带规格	20180906001	gh-li	hp-liu	Nolson	2018.09.06
△	B	ALTER PART NUMBER		gh-li	zw-lin	Nolson	2018.08.09
△	A	NEW DRAWING		gh-li	lujun	Nolson	2018.01.15
	REV.	DESCRIPTION	ECN NO.	zwn-lin	CHK.	APVD.	DATE

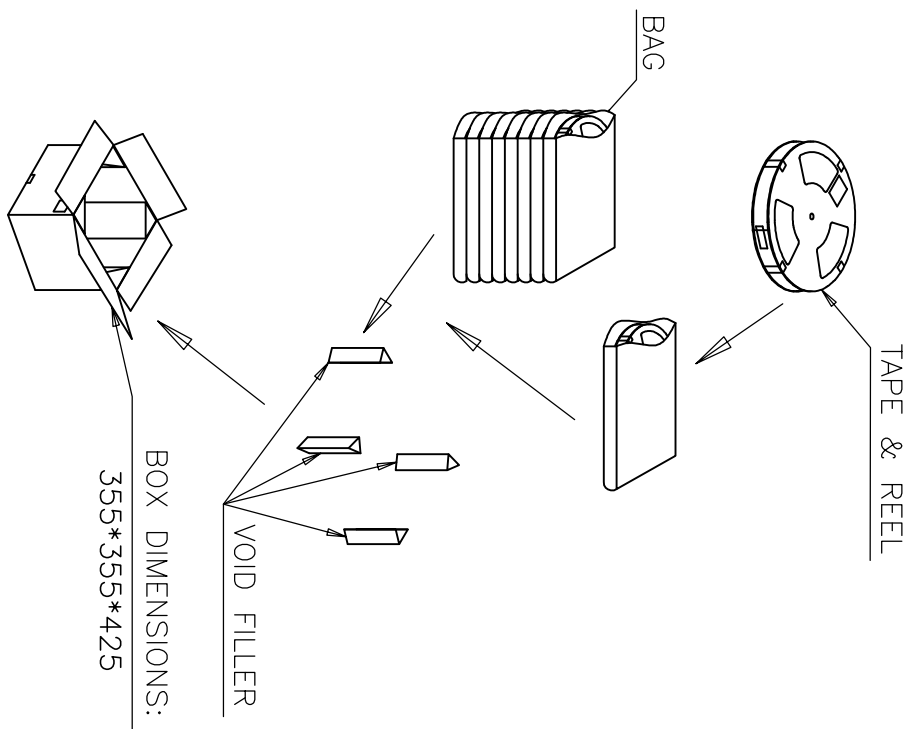


150	10	1500 PCS	-- KG	-- KG
PCS/ REEL	REELS/ CARTON	QUANTITY	GROSS WEIGHT	NET WEIGHT

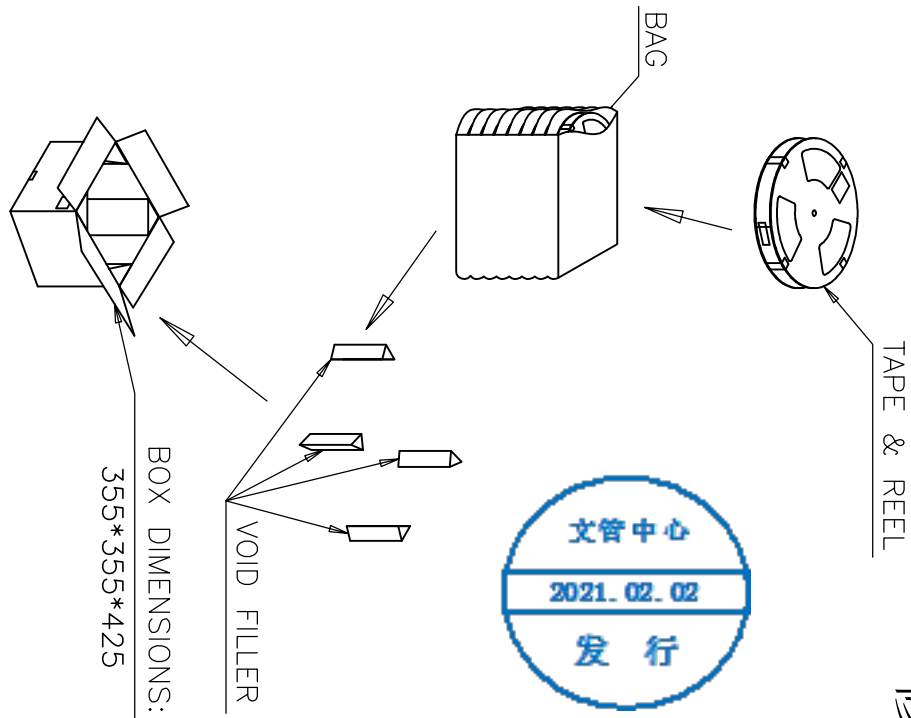
PowerCenter 力源科技 (香港) 有限公司
力源科技电子有限公司
POWERCENTER TECHNOLOGY LIMITED

ORIGINAL DATA	TITLE
2018.01.15	USB 3.1 TYPE C FEMALE
DWM.	VERTICAL H15.05mm SMT TYPE
CHK.	
gh-li	
APVD.	
FCC	
DWG NO.	1186-62X12-X3A
SCALE	1:1
SHEET	A4
REV.	F

修改前



修改后



TOLERANCES UNLESS OTHERWISE SPECIFIED		UNIT (MM)	
X	±0.20	X.X	
X.X	±0.15	X.XX	
X.XX	±0.10	X.XXX	
X.XXX	±0.05	ANGEL ±1°	
3RD ANGLE'S		APVD. FCC	
ORIGINAL DATA		TITLE	
2018.01.15		USB 3.1 TYPE C FEMALE	
DWN. zw-Lin		VERTICAL H15.05mm SMT TYPE	
CHK. 9h-Li		PART NO. 1186-62X12-X3A	
APVD. FCC		DWG NO. 1186-62212-23A	
SCALE 1:1		SHEET 2/2	
SIZE A4		REV. F	

PowerCenter 力源科技(香港)有限公司
力源电子科技有限公司
POWERCENTER TECHNOLOGY LIMITED