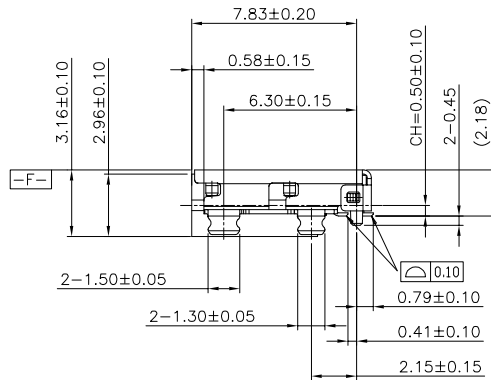
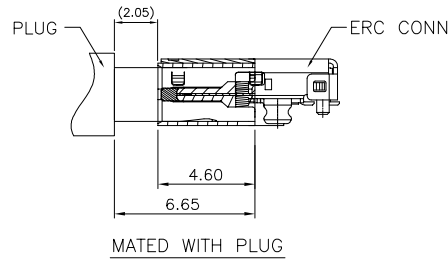
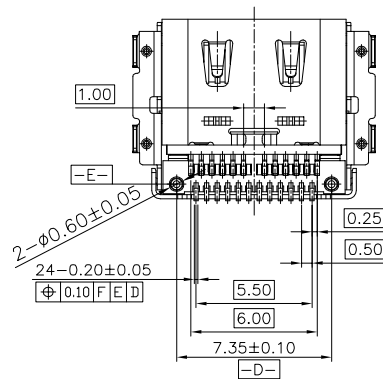
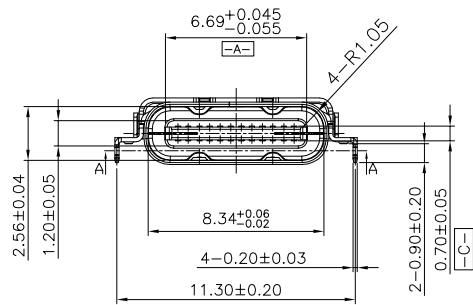
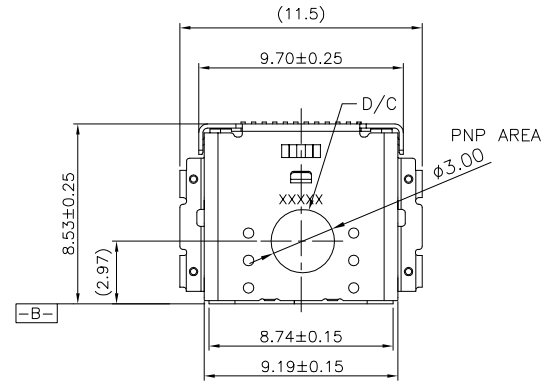


文件分发
生产管理
业务品质
QA
IQC
生技
制程
加工
冲压
资料
工程
仓库
IPQC



RoHS Compliant HSF
2013/95/EC

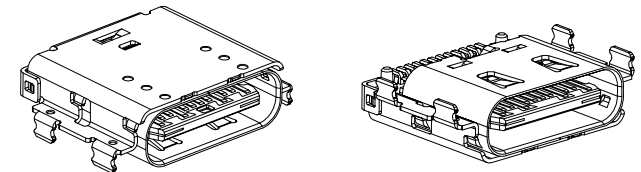


NOTES:

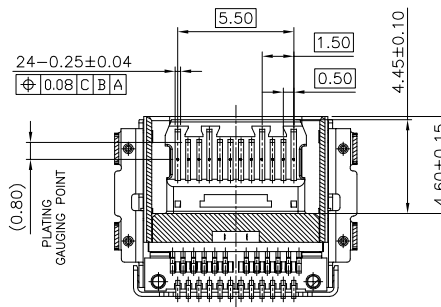
- MECHANICAL PERFORMANCE,
 - INSERTION FORCE:0.5-2.0Kgf;
 - EXTRACTION FORCE:0.6-2.0Kgf;
 - DURABILITY:10000 CYCLES;
- ELECTRICAL PERFORMANCE,
 - CURRENT RATING(ALL VBUS:5.0A;
 - VOLTAGE RATING:30 V;
 - LLCR:VBUSGND AND OTHER PINS:40mΩ MAX. Δ10mΩ MAX;
 - INSULATION RESISTANCE:100MΩ MIN;
- ROHS AND HF COMPLIANT,
- OPERATING TEMPERATURE:-55°C~85°C;
- RECOMMENDED PROCESS: THE PEAK TEMPERATURE ON THE BOARD SHALL MAINTAIN 10±1 SECONDS AT 240±5°C.
- PRODUCT NUMBER NOTE:

1186-11X25-X3A

- | | |
|---------|--------------|
| 1: 2u" | 1: Tray |
| 2: 5u" | 2: Tape reel |
| 3: 10u" | |
| 4: 15u" | |
| 5: 30u" | |



3D VIEW



A	NEW DAWING	YWL	FCC	FCC	2022.11.08	
REV.	DESCRIPTION	ECN NO.	DWN.	CHK.	APVD.	DATE

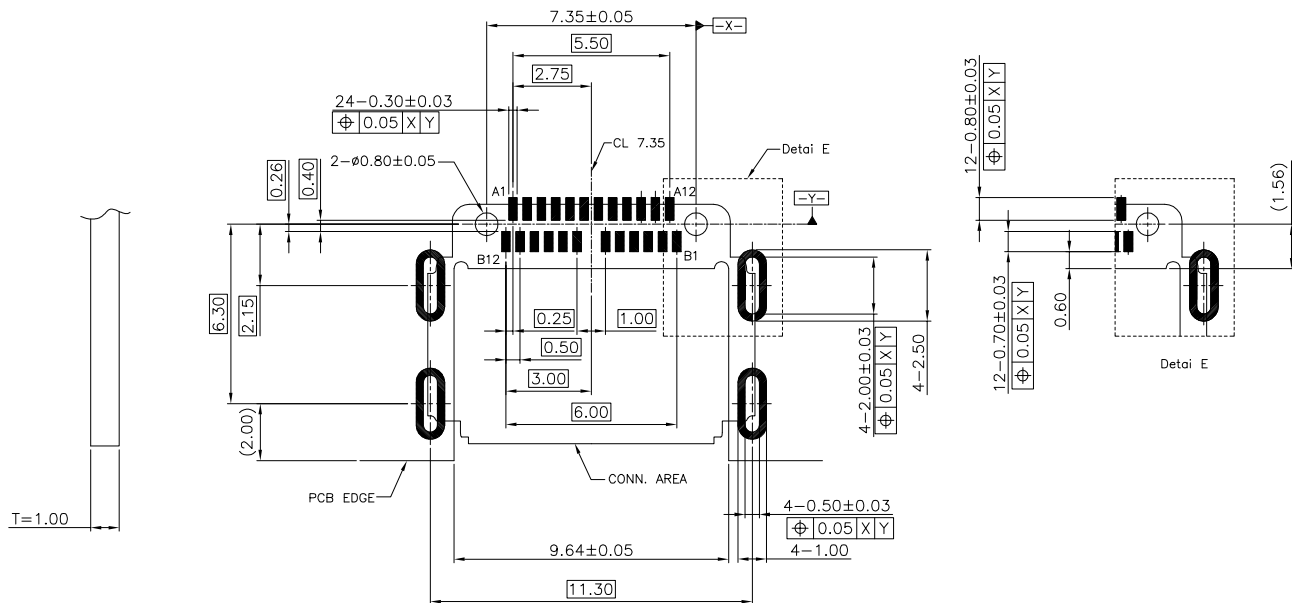
TOLERANCES UNLESS OTHERWISE SPECIFIED		PowerCenter 力源科技 (香港) 有限公司 力源科技力郡电子 力郡电子科技有限公司 POWERCENTER TECHNOLOGY LIMITED			
UNIT (MM)		ORIGINAL DATA	TITLE:		
X. ±0.50		2022.11.08	USB4.0 CH0.50mm L8.53mm DOABLE SMT TYPE .		
X.X ±0.30		DWN.	YWL		
X.XX ±0.20		CHK.	FCC	PART NO.	SCALE
X.XXX ±0.10		APVD.	FCC	1186-11X25-23A	1:1
ANGEL ±2°				DWG NO.	SIZE
3RD.ANGLE'S				1186-11125-23A	A4
				SHEET	REV.
				1/3	A

文件分发
生产管理
业务品质
QA
IQC
生技
注模
加工
冲压
资料
工程
仓库
IPQC



RoHS Compliant HSF
2013/95/EC

8	TOP CONTACTS	12PIN	C18400	Ni50u" OVER ALL SOLDER AREA Sn 50u" MIN; CONTACT AREA Au 2u" MIN.
7	BTM CONTACTS	12PIN	C18400	Ni50u" OVER ALL SOLDER AREA Sn 50u" MIN; CONTACT AREA Au 2u" MIN.
6	MID-PLATE	1PCS	SUS301_EH	CLEAN
5	OUTER SHELL	1PCS	Stainless steel	Ni50u" OVER ALL;
4	INNER SHELL	1PCS	Stainless steel	CLEAN
3	TOP IM	1PCS	PA	BLACK
2	BTM IM	1PCS	PA	BLACK
1	OM1	1PCS	PA	BLACK
NO.	PAPT NAME	Q'TY	MATERIAL	NOTES



RECOMMEND P.C.B LAYOUT (COMPONENT SIDE)
TOLERANCE FOR PCB LAYOUT IS ± 0.05



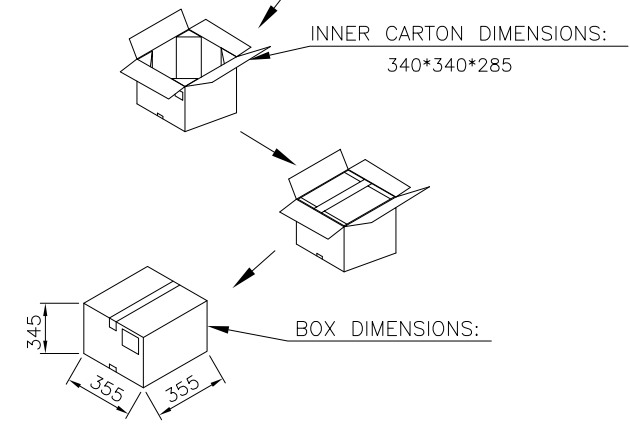
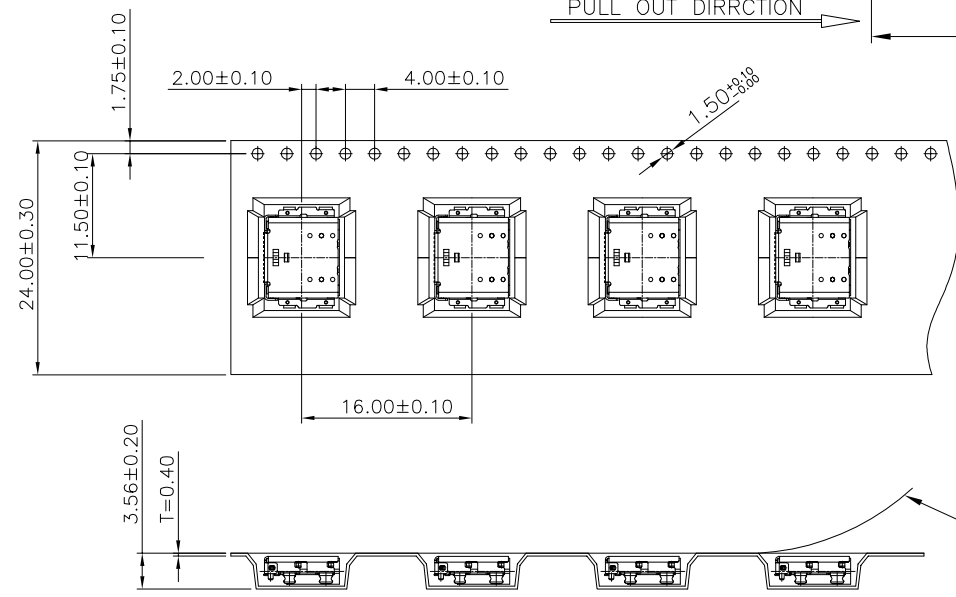
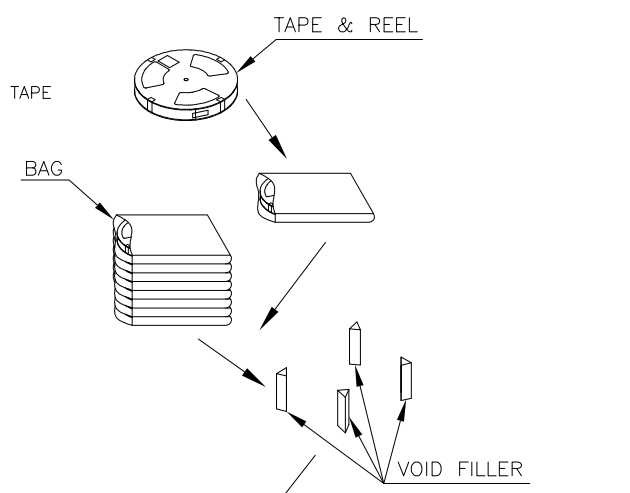
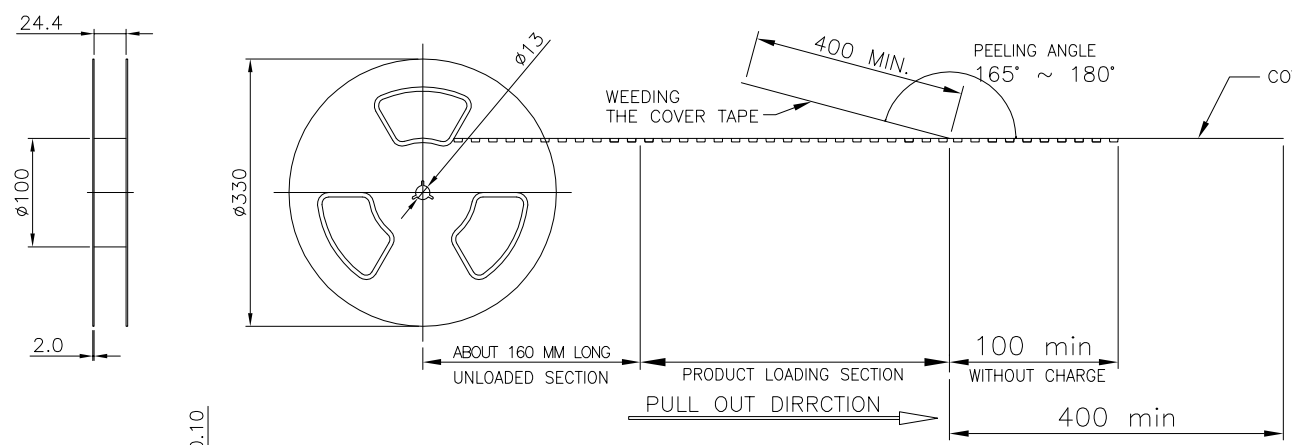
Pin	Signal Name	Mating Sequence	Pin	Signal Name	Mating Sequence
A1	GND	First	B12	GND	First
A2	SSTXp1	Second	B11	SSRXp1	Second
A3	SSTXn1	Second	B10	SSRXn1	Second
A4	V _{BUS}	First	B9	V _{BUS}	First
A5	CC1	Second	B8	SBU2	Second
A6	Dp1	Second	B7	Dn2	Second
A7	Dn1	Second	B6	Dp2	Second
A8	SBU1	Second	B5	CC2	Second
A9	V _{BUS}	First	B4	V _{BUS}	First
A10	SSRXn2	Second	B3	SSTXn2	Second
A11	SSRXp2	Second	B2	SSTXp2	Second
A12	GND	First	B1	GND	First

TOLERANCES UNLESS OTHERWISE SPECIFIED		PowerCenter 力源科技 (香港) 有限公司 力源科技力郡电子 POWERCENTER TECHNOLOGY LIMITED	
UNIT (MM)		ORIGINAL DATA 2022.11.08	TITLE: USB4.0 CH0.50mm L8.53mm DOABLE SMT TYPE .
X. ±0.50		DWN. YWL	
X.X ±0.30		CHK. YWL	PART NO. 1186-11X25-23A
X.XX ±0.20		APVD. FCC	SCALE 1:1
X.XXX ±0.10			SIZE A4
ANGEL ±2°			DWG NO. 1186-11125-23A
3RD.ANGLE'S			SHEET 2/3
			REV. A

A	NEW DAWING		YWL	FCC	FCC	2022.11.08
REV.	DESCRIPTION	ECN NO.	DWN.	CHK.	APVD.	DATE

文件分发
生产管理
业务
品保
QA
IQC
生技
注塑加工
冲压
资料
工程
仓库
IPQC

Pb RoHS Compliant HSF 2013/95/EC



NOTE:

- MATERIAL:
BOX: FIBREBOARD, CORRUGATED, DOUBLE WALL.
TAPE: POLYSTYRENES, HEAT-RESISTANT TEMPERATURE: 120°C, CLEAR COLOR.
REEL: POLYSTYRENES, HEAT-RESISTANT TEMPERATURE: 70°C, BLUE COLOR.
BAG: POLYETHYLENE, HEAT-RESISTANT TEMPERATURE: 100°C.
- PEELING STRENGTH: 0.1 ~ 1.3 N (10 ~ 130 GRAMS)
- PEELING SPEED: 300 mm/min.
- EACH BAG SHALL BE INCLUDED DESICCANT.

900	10	9000	-- KG	-- KG
PCS/ REEL	REELS/ CARTON	QUANTITY	GROSS WEIGHT	NET WEIGHT

TOLERANCES UNLESS OTHERWISE SPECIFIED		PowerCenter 力源科技 (香港) 有限公司 力源科技力郡电子 POWERCENTER TECHNOLOGY LIMITED		
UNIT (MM)		ORIGINAL DATA 2022.11.08	TITLE: USB4.0 CH0.50mm L8.53mm DOABLE SMT TYPE.	
X.	±0.50	DWN. YWL		
X.X	±0.30			
X.XX	±0.20	CHK.	PART NO. 1186-11X25-23A	SCALE 1:1
X.XXX	±0.10	APVD. FCC	DWG NO. 1186-11125-23A	SIZE A4
ANGEL	±2°			SHEET 3/3
3RD. ANGLE'S				REV. A

A	NEW DAWING		YWL	FCC	FCC	2022.11.08
REV.	DESCRIPTION	ECN NO.	DWN.	CHK.	APVD.	DATE